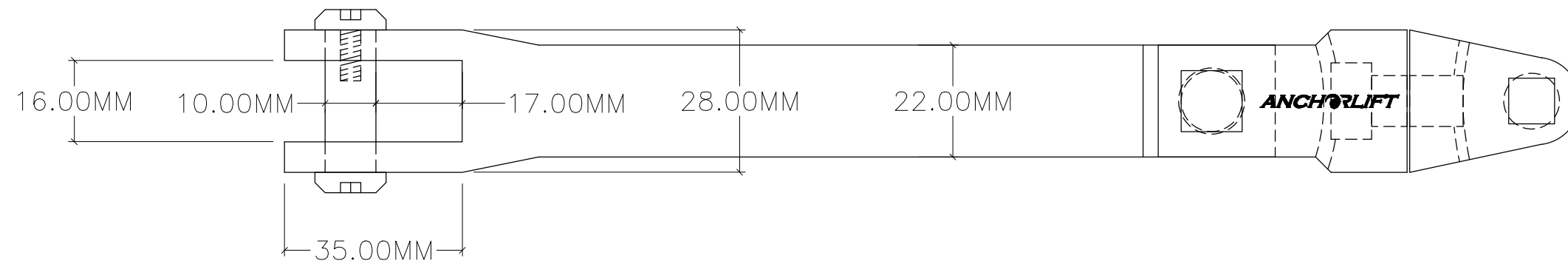
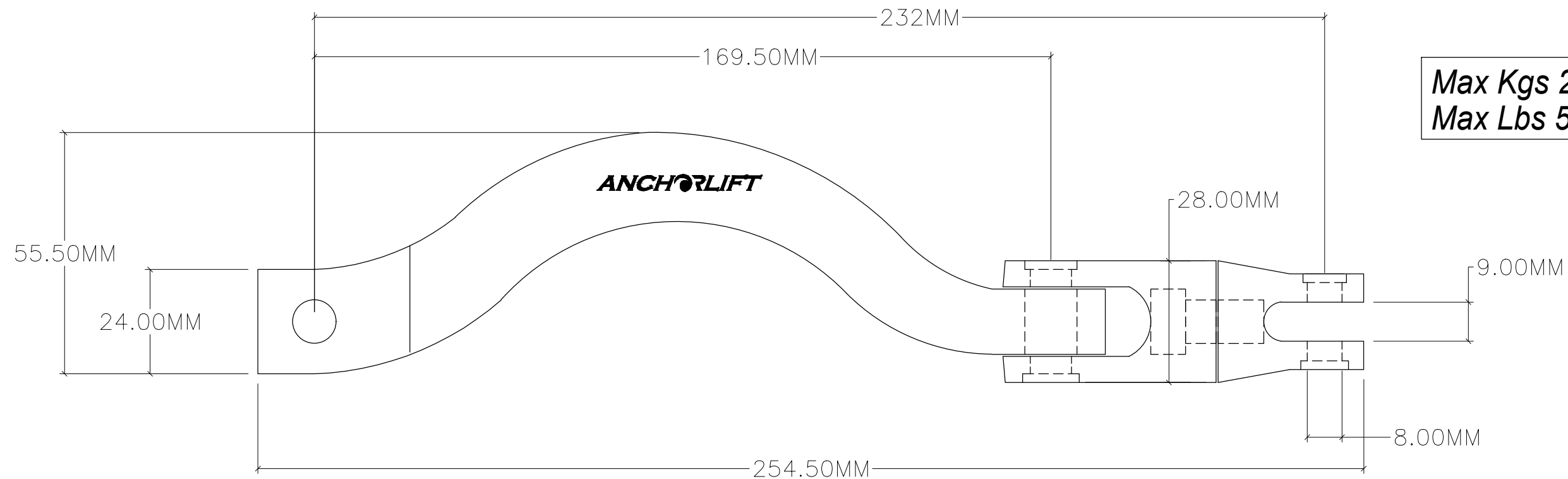


PART No. 965008 ANCHOR TURNER KIT



NOTE: ALL DIMENSIONS ARE IN MILLIMETERS

**ANCHORLIFT**

www.anchorliftdirect.com

SIZE  
**B**

PROJECT: PART No. 965008 ANCHOR TURNER KIT  
ADDRESS

PROJECT MANAGER:

DRAWN BY: JDN

SCALE: N.T.S.

DWG DATE  
07/20/2020

SHEET 1 OF 1