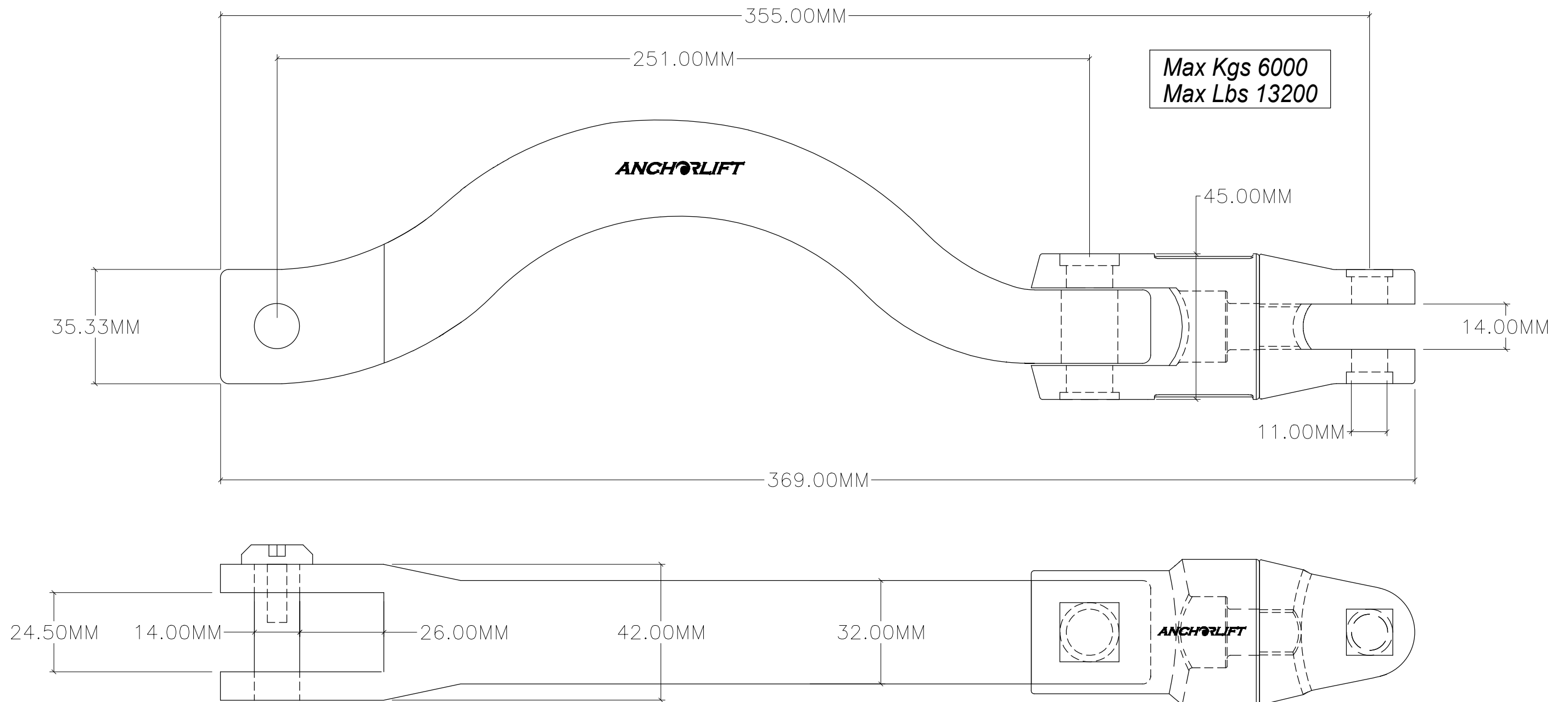


PART No. 9650II ANCHOR TURNER KIT



NOTE: ALL DIMENSIONS ARE IN MILLIMETERS

ANCHORLIFT
www.anchorliftdirect.com

SIZE
B

PROJECT: PART No. 9650II ANCHOR TURNER KIT
ADDRESS

DWG DATE
07/20/2020

PROJECT MANAGER:

DRAWN BY: JDN

SCALE: N.T.S.

SHEET 1 OF 1