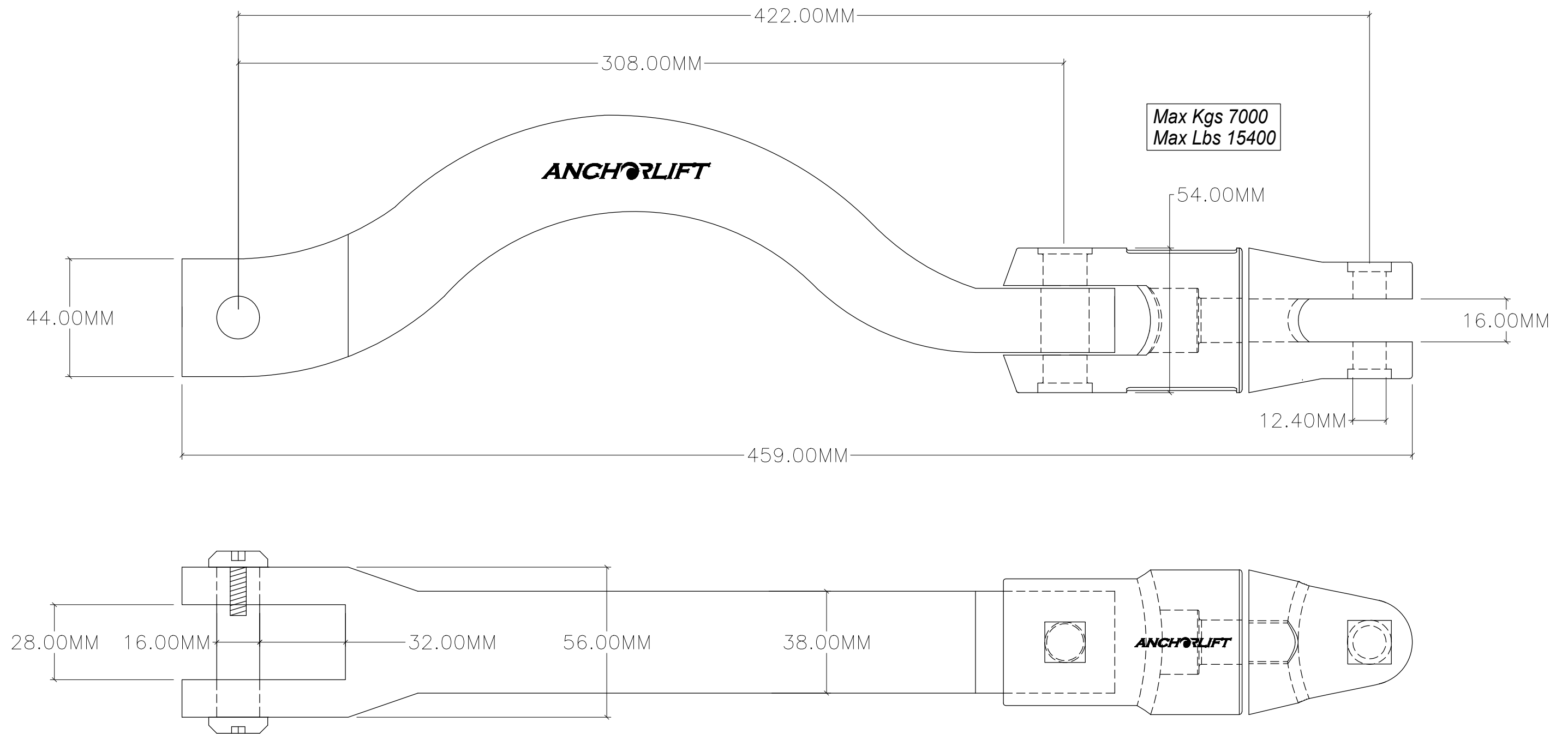



PART No. 965012 ANCHOR TURNER KIT



NOTE: ALL DIMENSIONS ARE IN MILLIMETERS

 www.anchorliftdirect.com	SIZE <b>B</b>	PROJECT: PART No. 965012 ANCHOR TURNER KIT ADDRESS	DWG DATE 07/20/2020
	PROJECT MANAGER:	DRAWN BY: JDN	SCALE: N.T.S. SHEET 1 OF 1