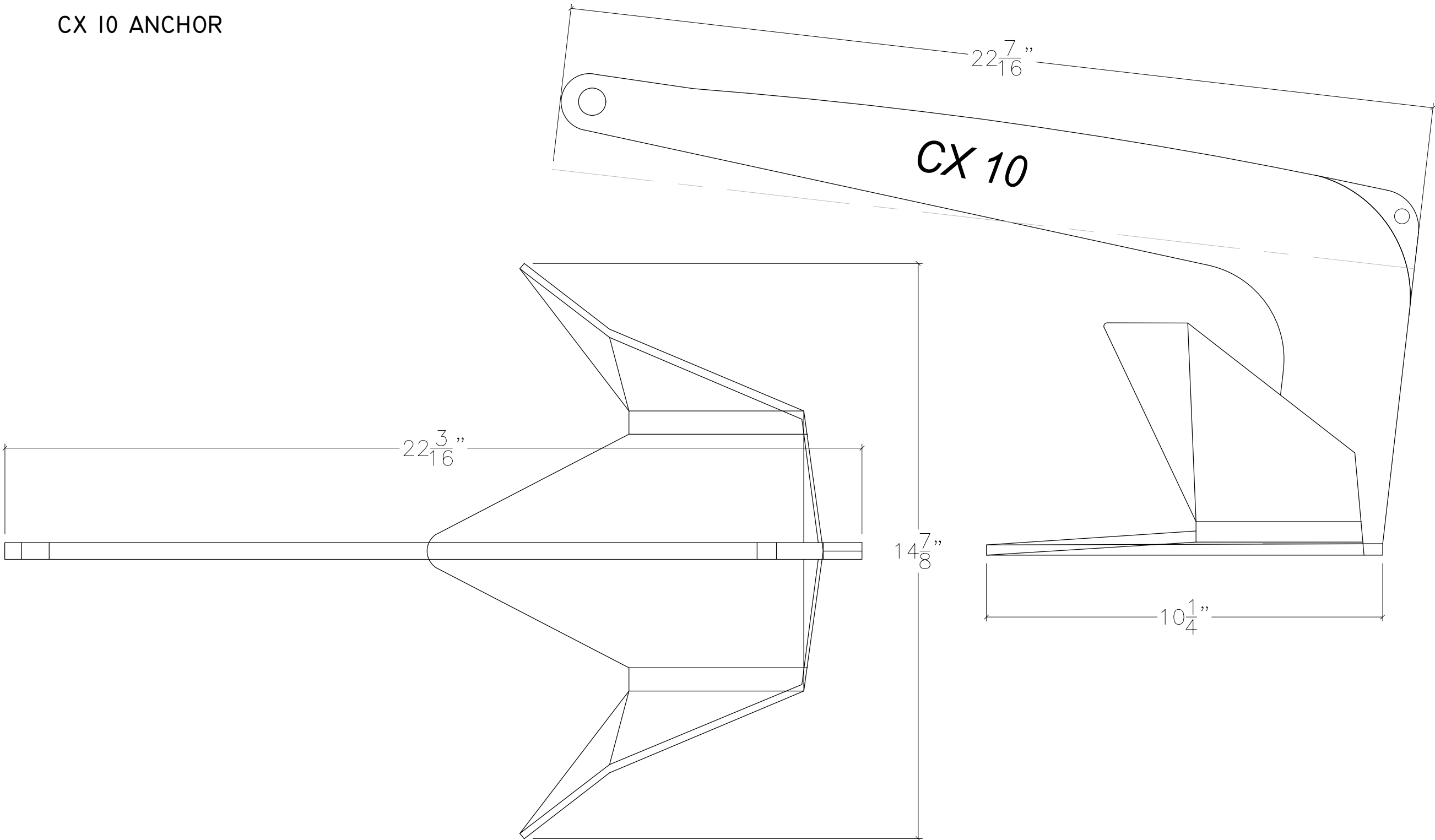


CX 10 ANCHOR



NOTE: ALL DIMENSIONS ARE IN INCHES



SIZE	CX 10 ANCHOR	DWG DATE	07/20/2020
B	ADDRESS		
PROJECT MANAGER:	DRAWN BY: JDN	SCALE: N.T.S.	SHEET 1 OF 1