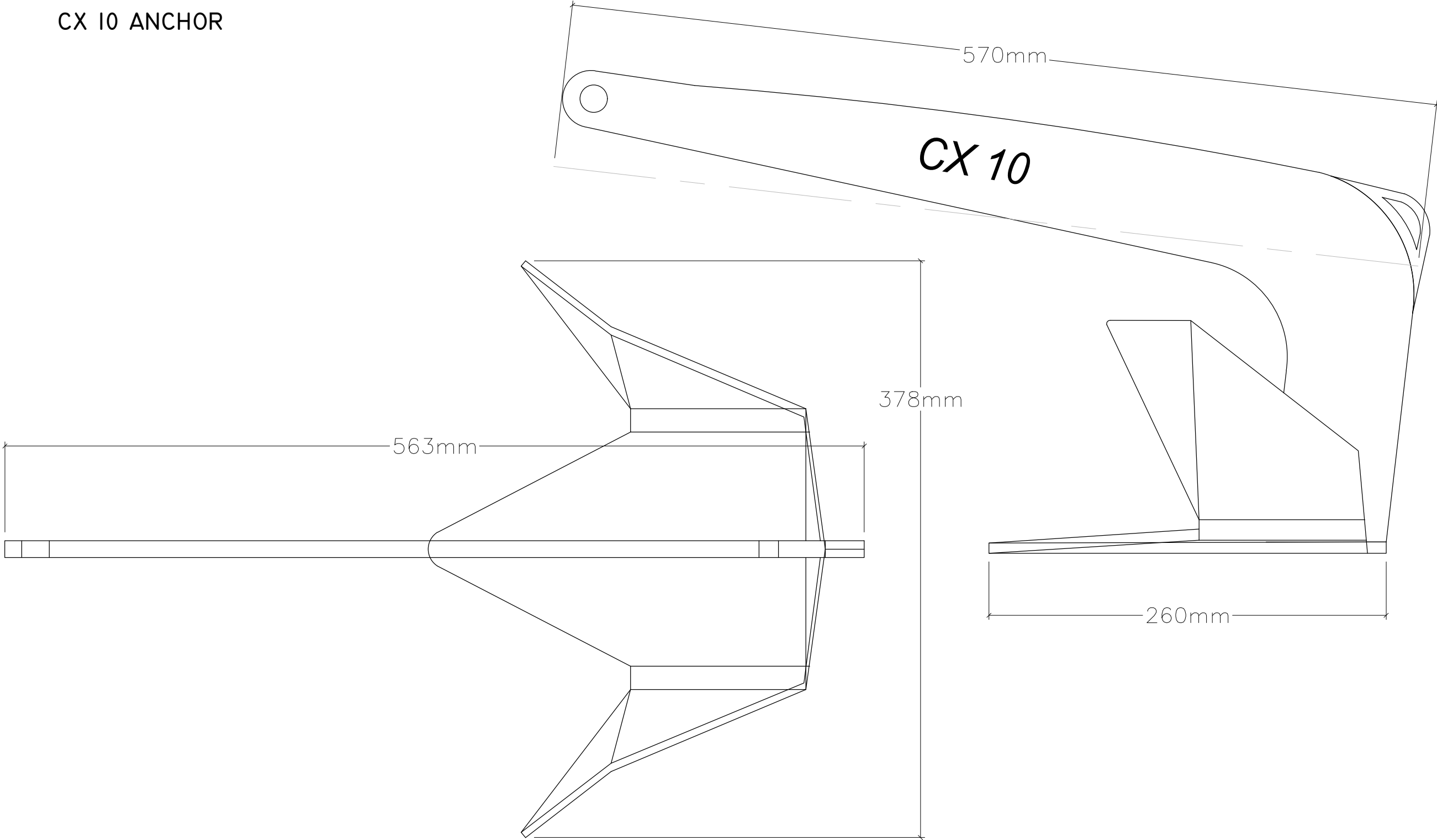


CX 10 ANCHOR



NOTE: ALL DIMENSIONS ARE IN MILLIMETERS



SIZE B	CX 10 ANCHOR ADDRESS	DWG DATE 07/20/2020	
	PROJECT MANAGER:	DRAWN BY: JDN	SCALE: N.T.S. SHEET 1 OF 1