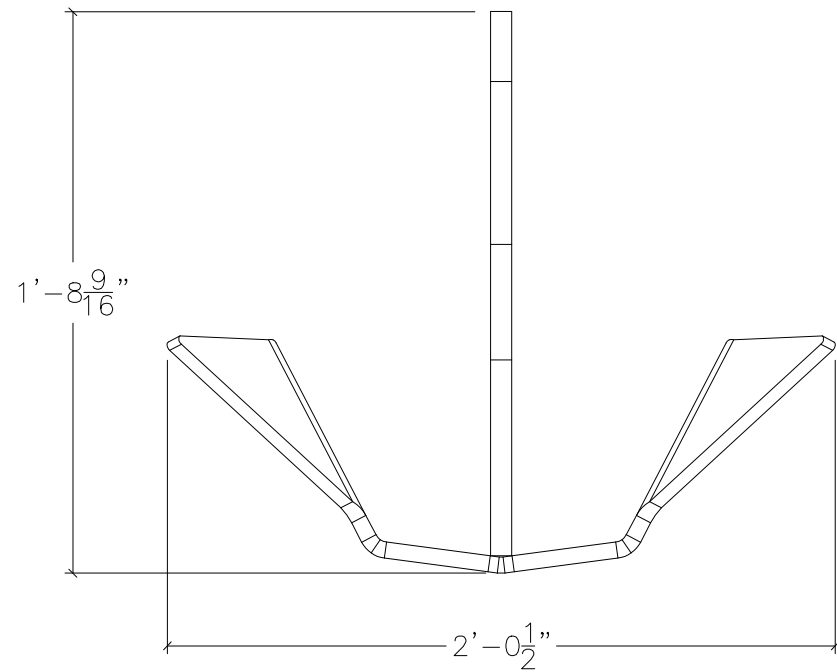
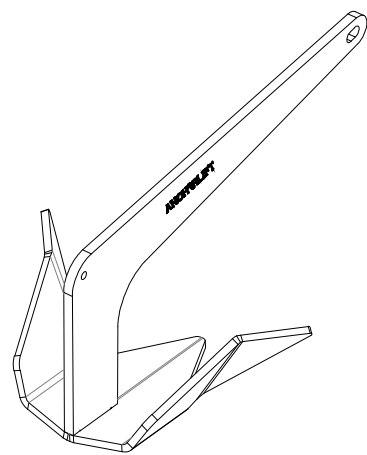


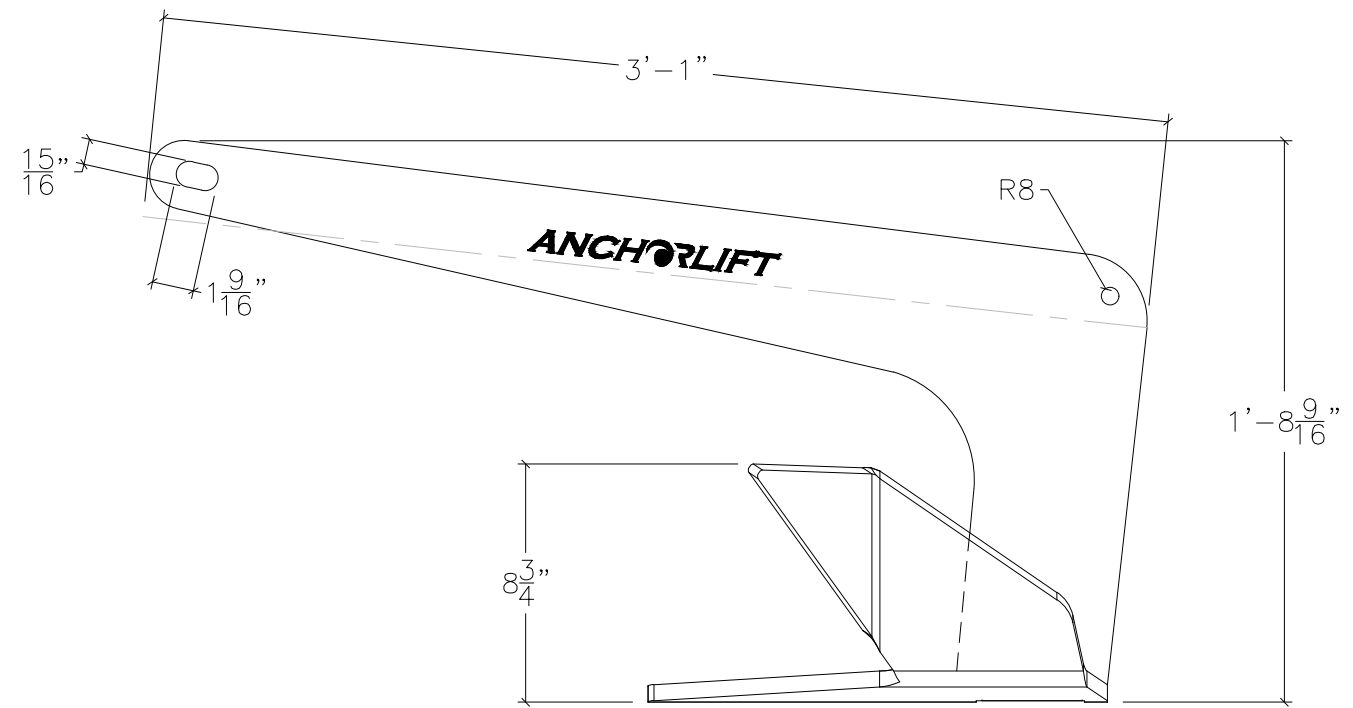
CX50 ANCHOR



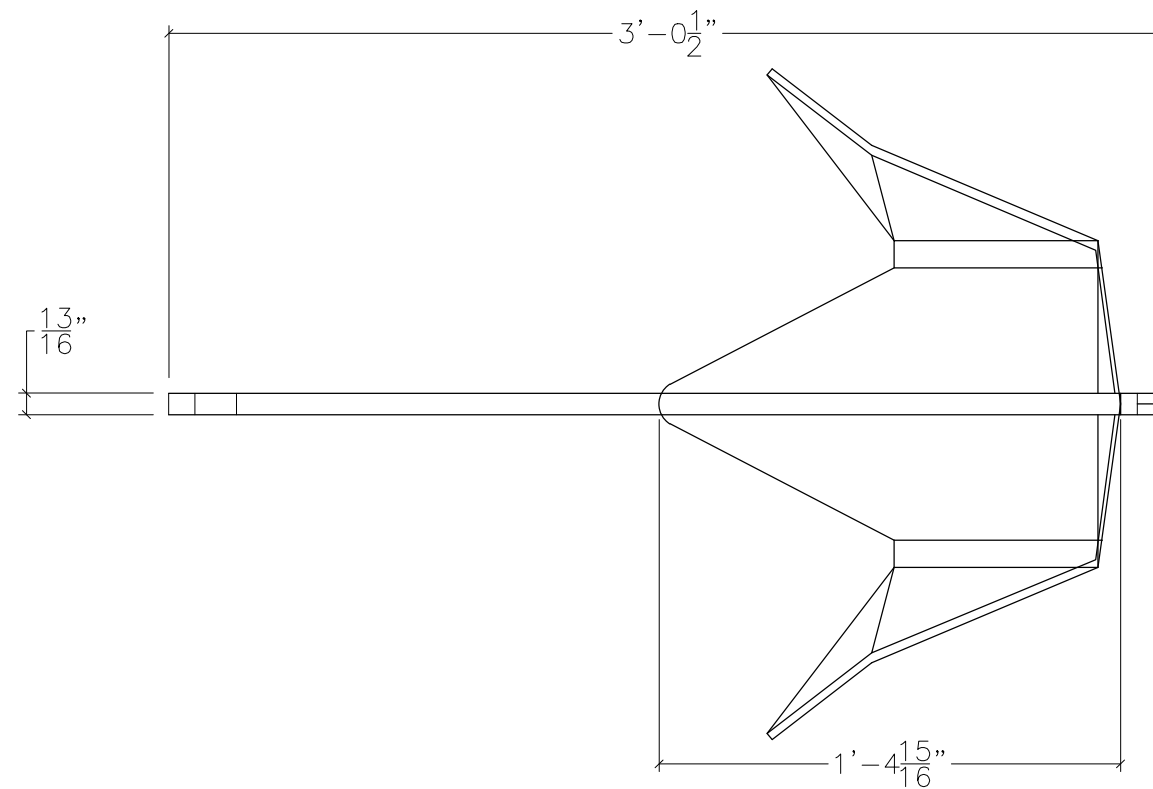
FRONT VIEW



3-D VIEW




SIDE VIEW



TOP VIEW

NOTE: ALL DIMENSIONS ARE IN INCHES

 www.anchorliftdirect.com	SIZE B	CX50 ANCHOR	DWG DATE 2/13/2021
	PROJECT MANAGER:	DRAWN BY: JDN	SCALE: N.T.S.