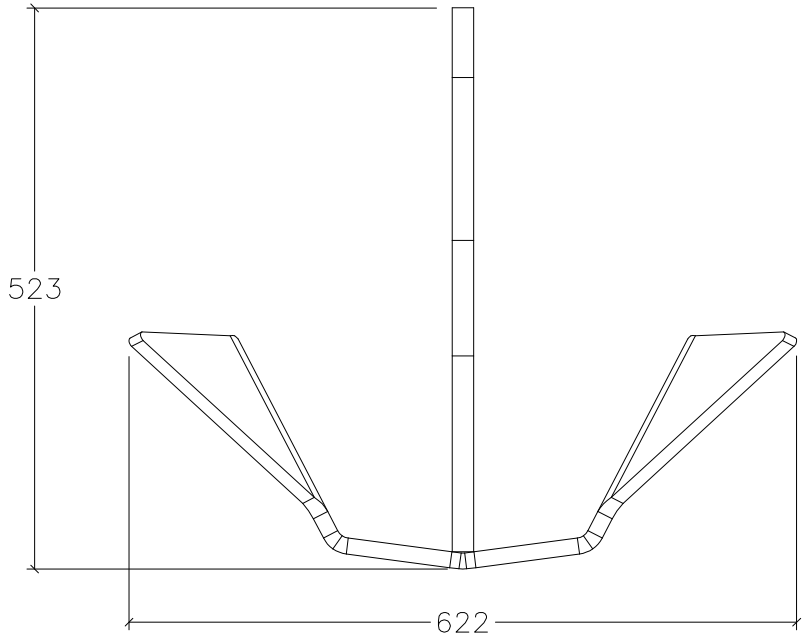
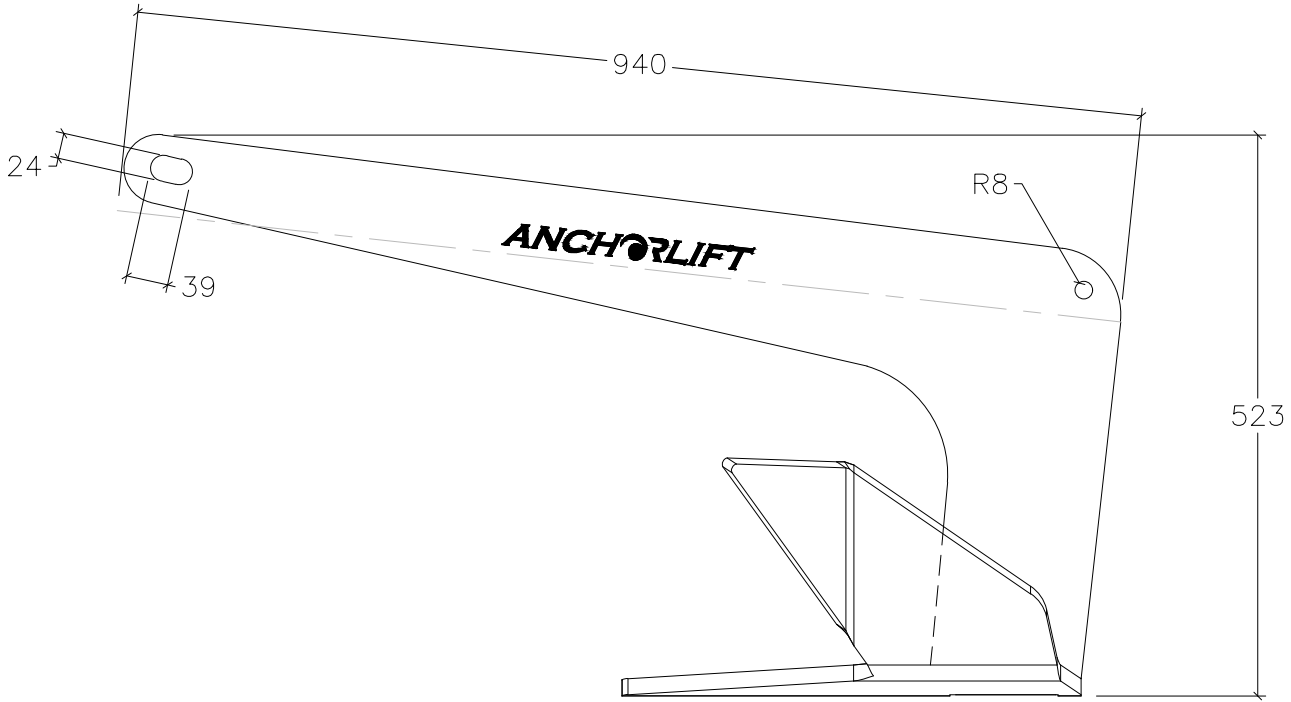


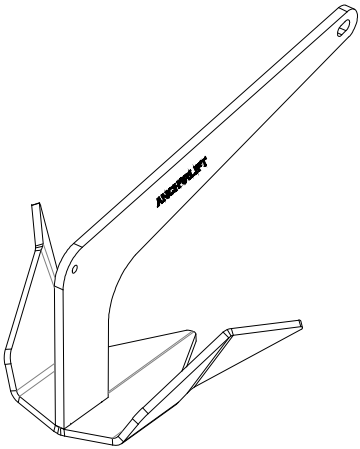
CX50 ANCHOR



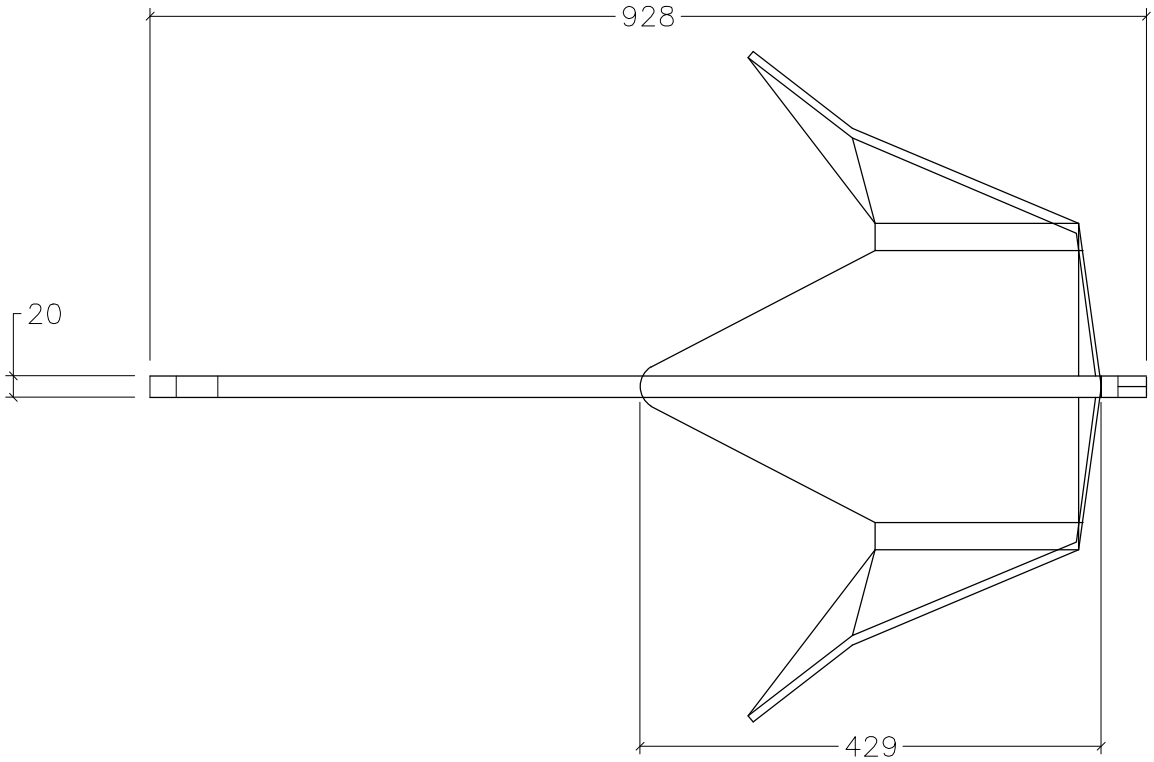
FRONT VIEW



SIDE VIEW



3-D VIEW



TOP VIEW

NOTE: ALL DIMENSIONS ARE IN MILLIMETERS



SIZE B	CX50 ANCHOR	DWG DATE 2/13/2021	
PROJECT MANAGER:	DRAWN BY: JDN	SCALE: N.T.S.	SHEET 1 OF 1