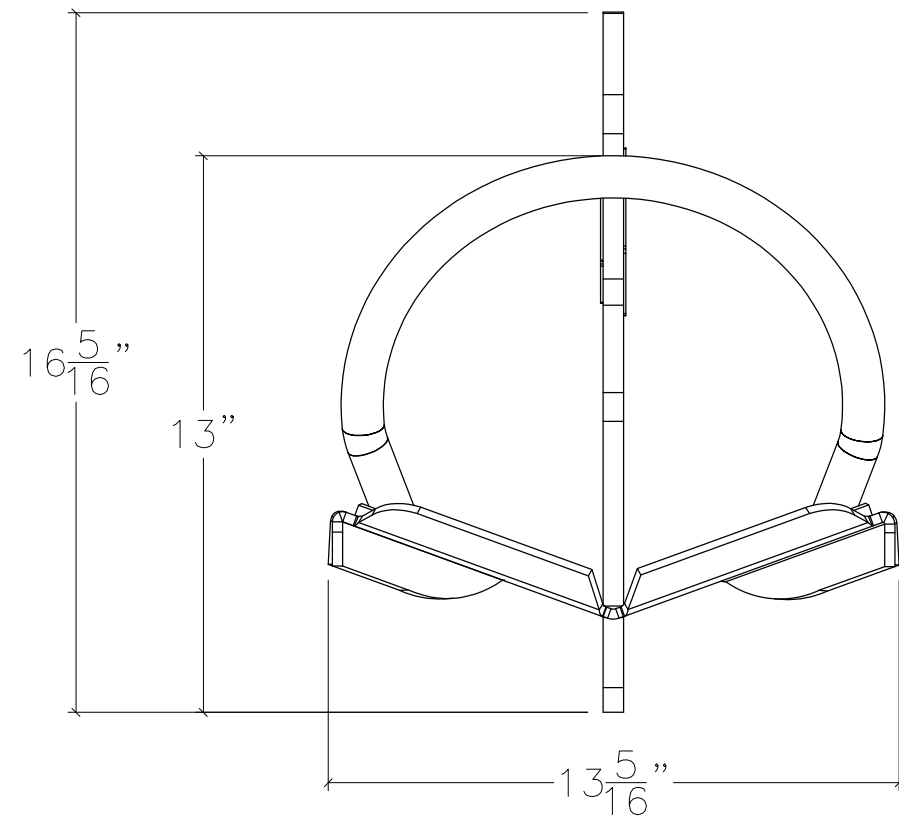
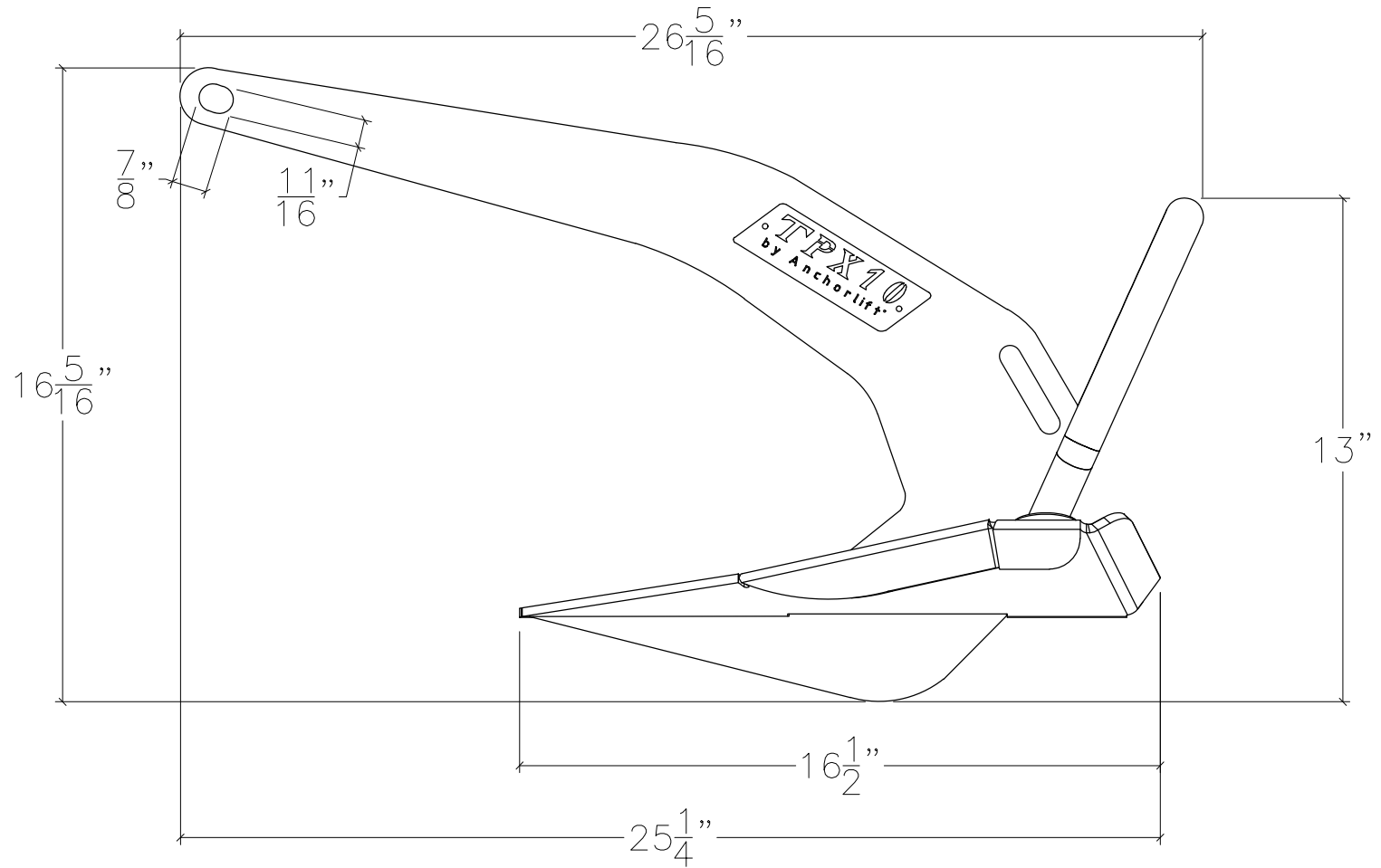


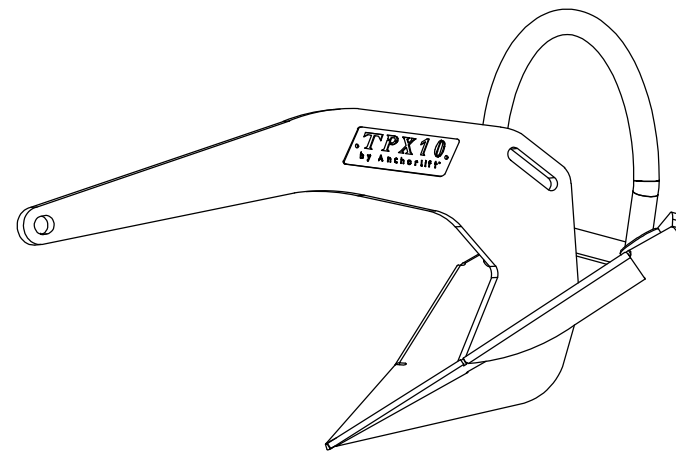
TPX10 ANCHOR



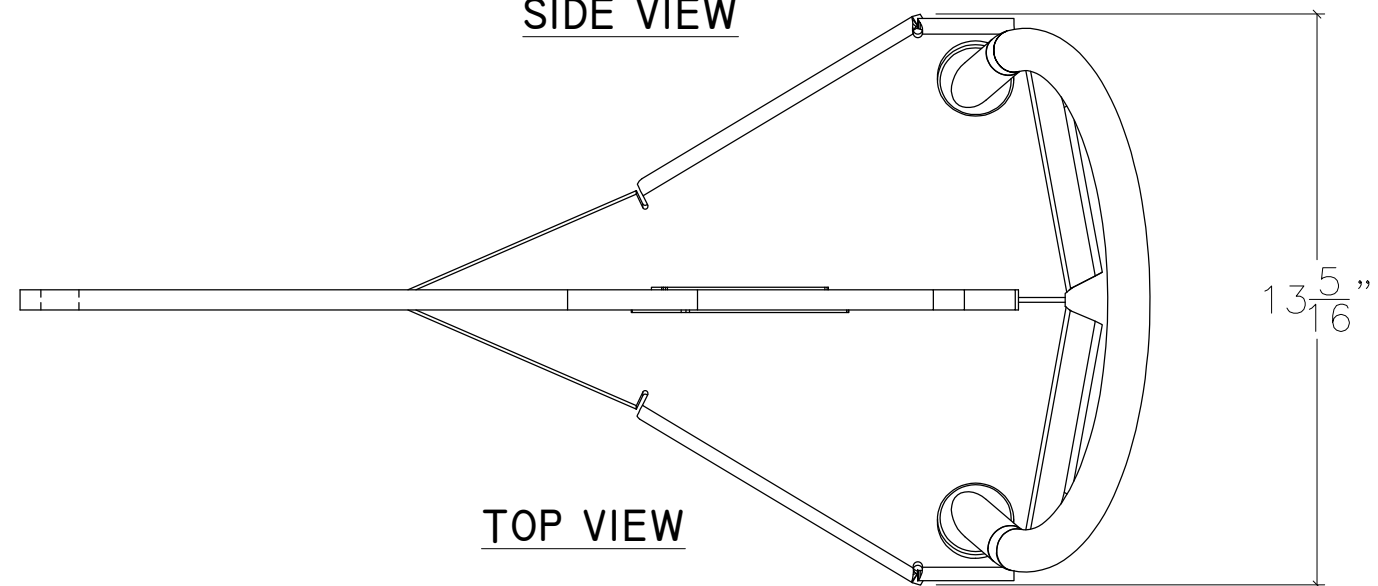
FRONT VIEW



SIDE VIEW



3-D VIEW



TOP VIEW

NOTE: ALL DIMENSIONS ARE IN INCHES



SIZE	TPX10 ANCHOR	DWG DATE	07/20/2020
B	ADDRESS		
PROJECT MANAGER:	DRAWN BY: JDN	SCALE: N.T.S.	SHEET 1 OF 1