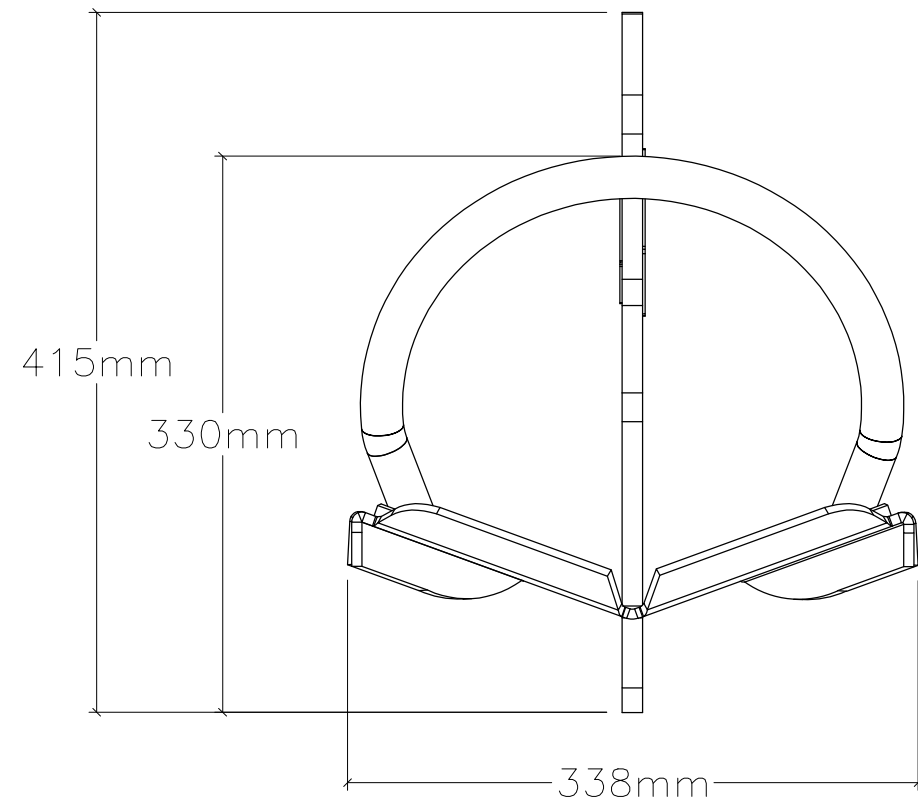
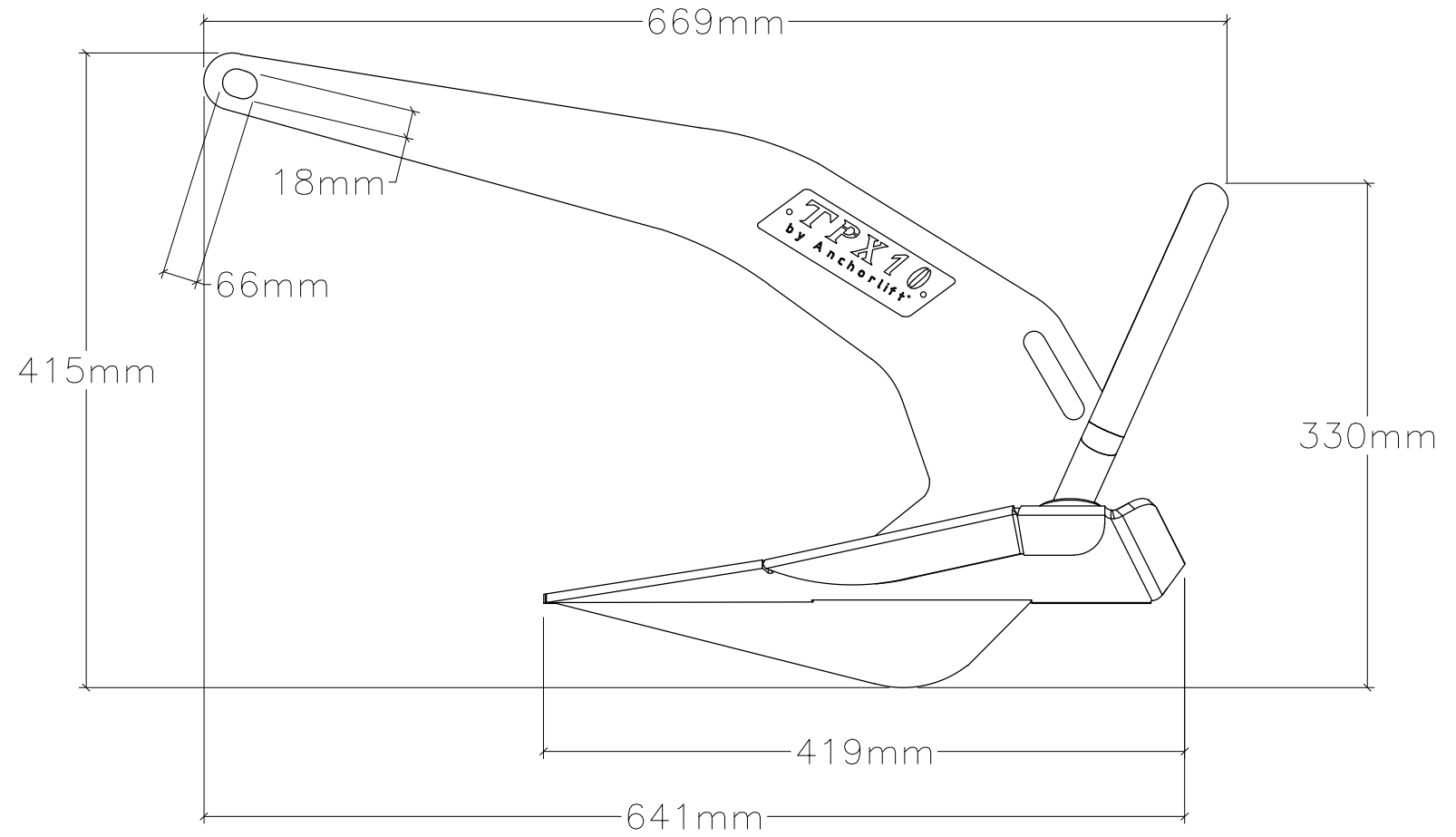


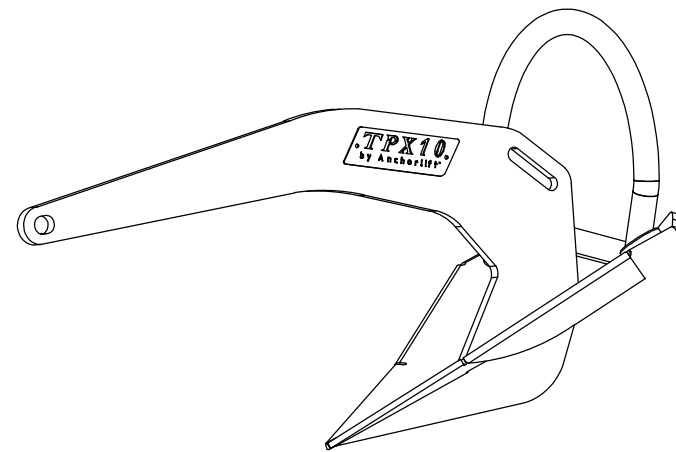
TPX10 ANCHOR



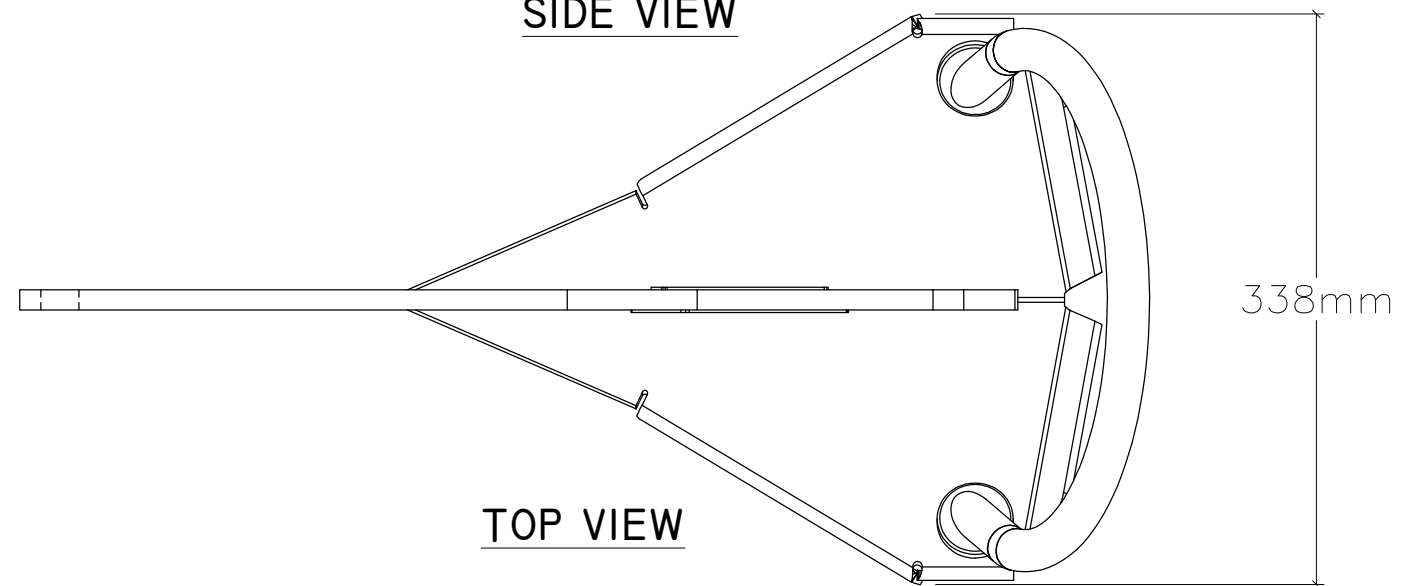
FRONT VIEW



SIDE VIEW



3-D VIEW



TOP VIEW

NOTE: ALL DIMENSIONS ARE IN MILLIMETERS



www.anchorliftdirect.com

SIZE  
**B**

TPX10 ANCHOR  
ADDRESS

PROJECT MANAGER:

DRAWN BY: JDN

SCALE: N.T.S.

DWG DATE  
07/20/2020

SHEET 1 OF 1