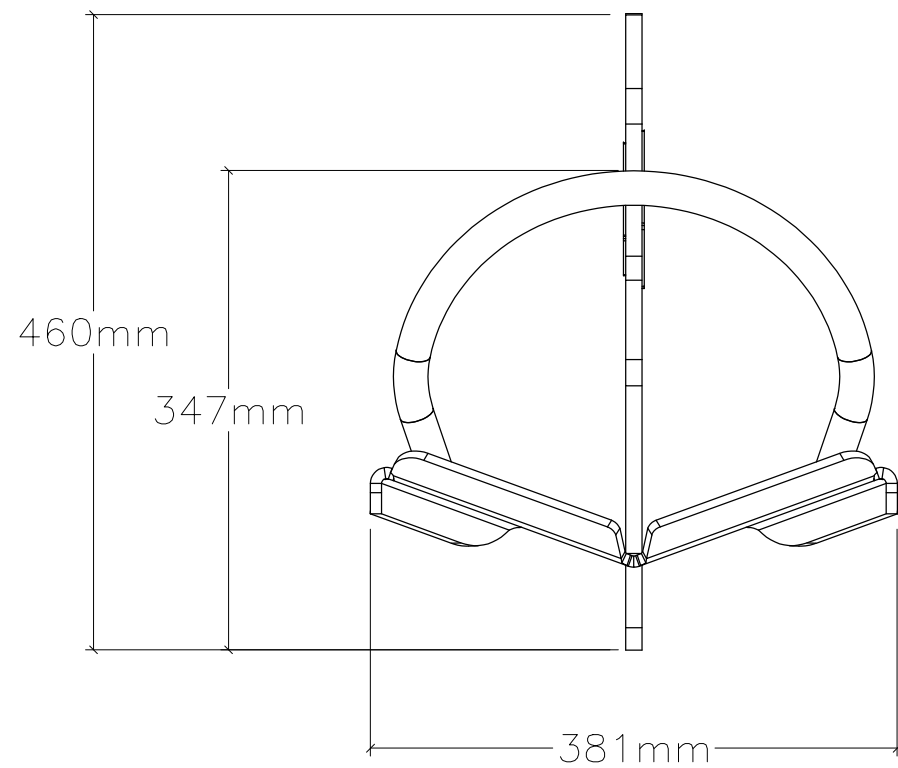
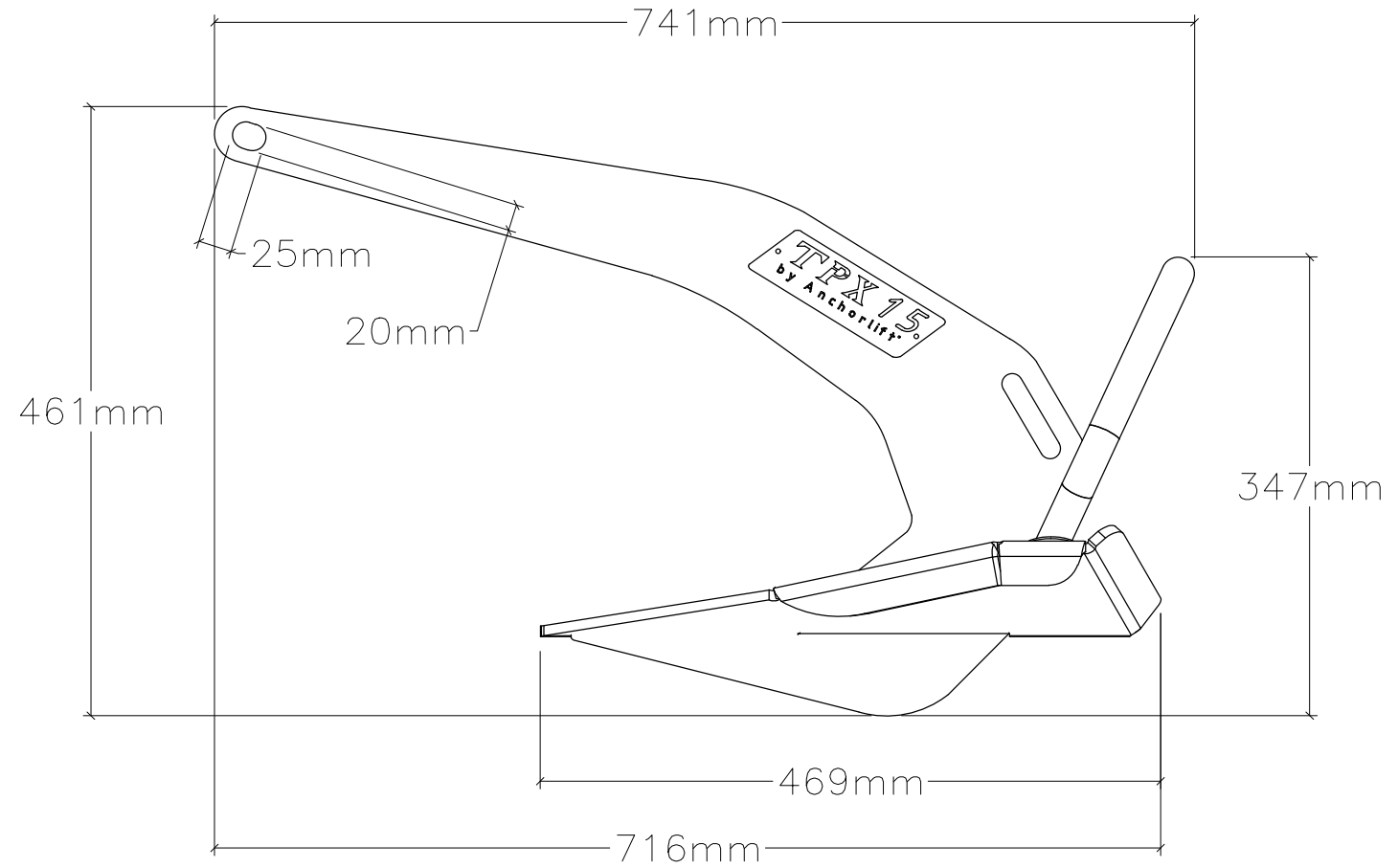


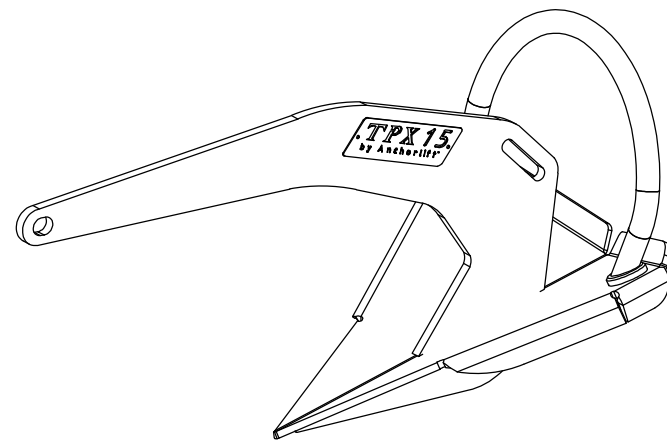
TPX15 ANCHOR



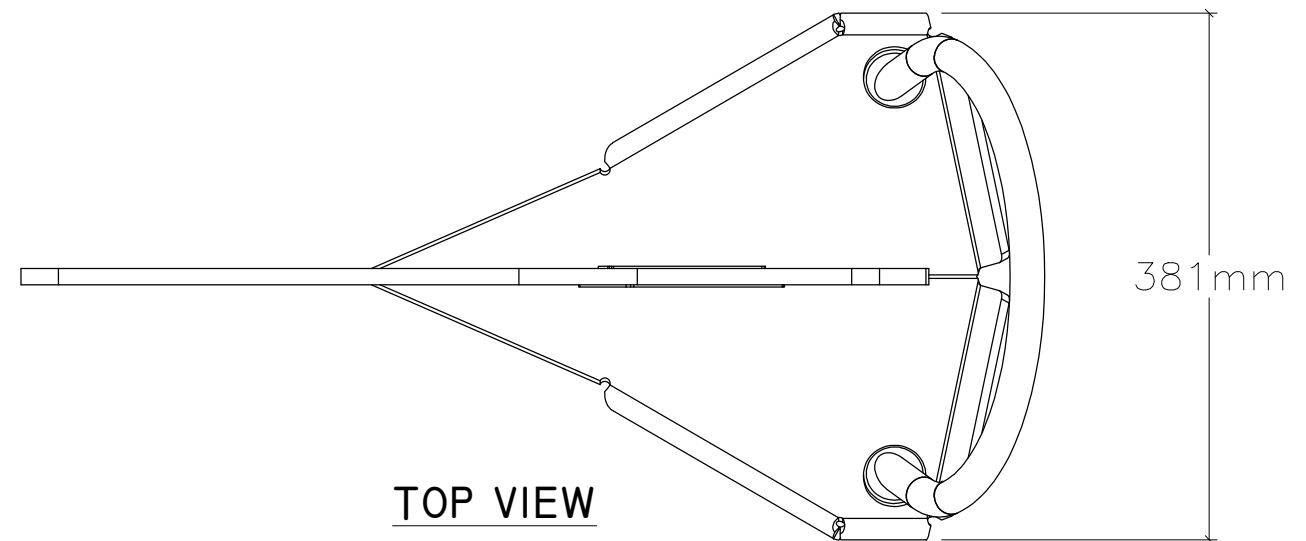
FRONT VIEW



SIDE VIEW



3-D VIEW



TOP VIEW

NOTE: ALL DIMENSIONS ARE IN MILLIMETERS



SIZE B	TPX15 ANCHOR	DRAWN BY: JDN	SCALE: N.T.S.	DWG DATE
	ADDRESS			07/20/2020
PROJECT MANAGER:		SHEET 1 OF 1		