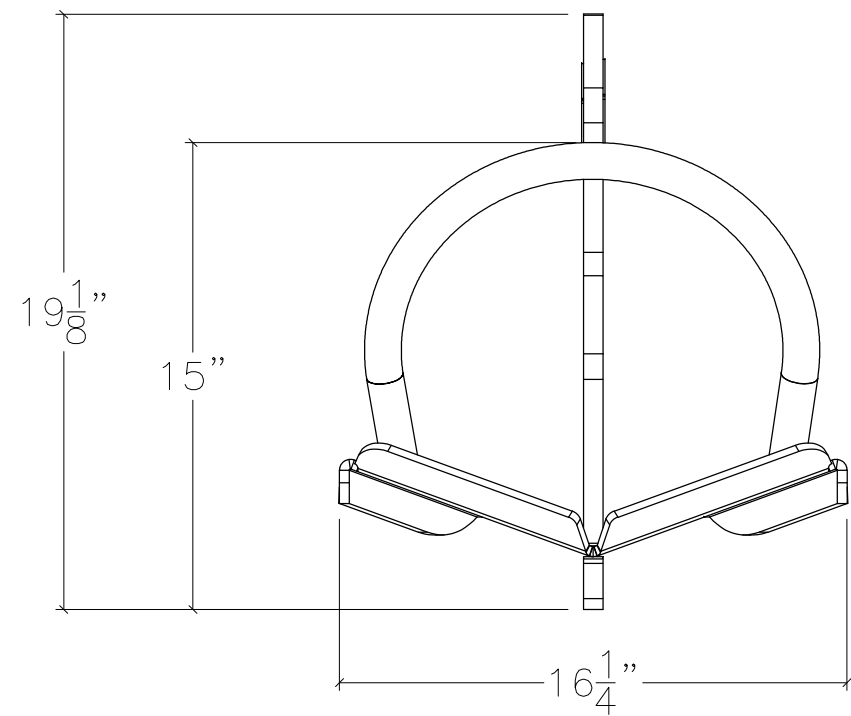
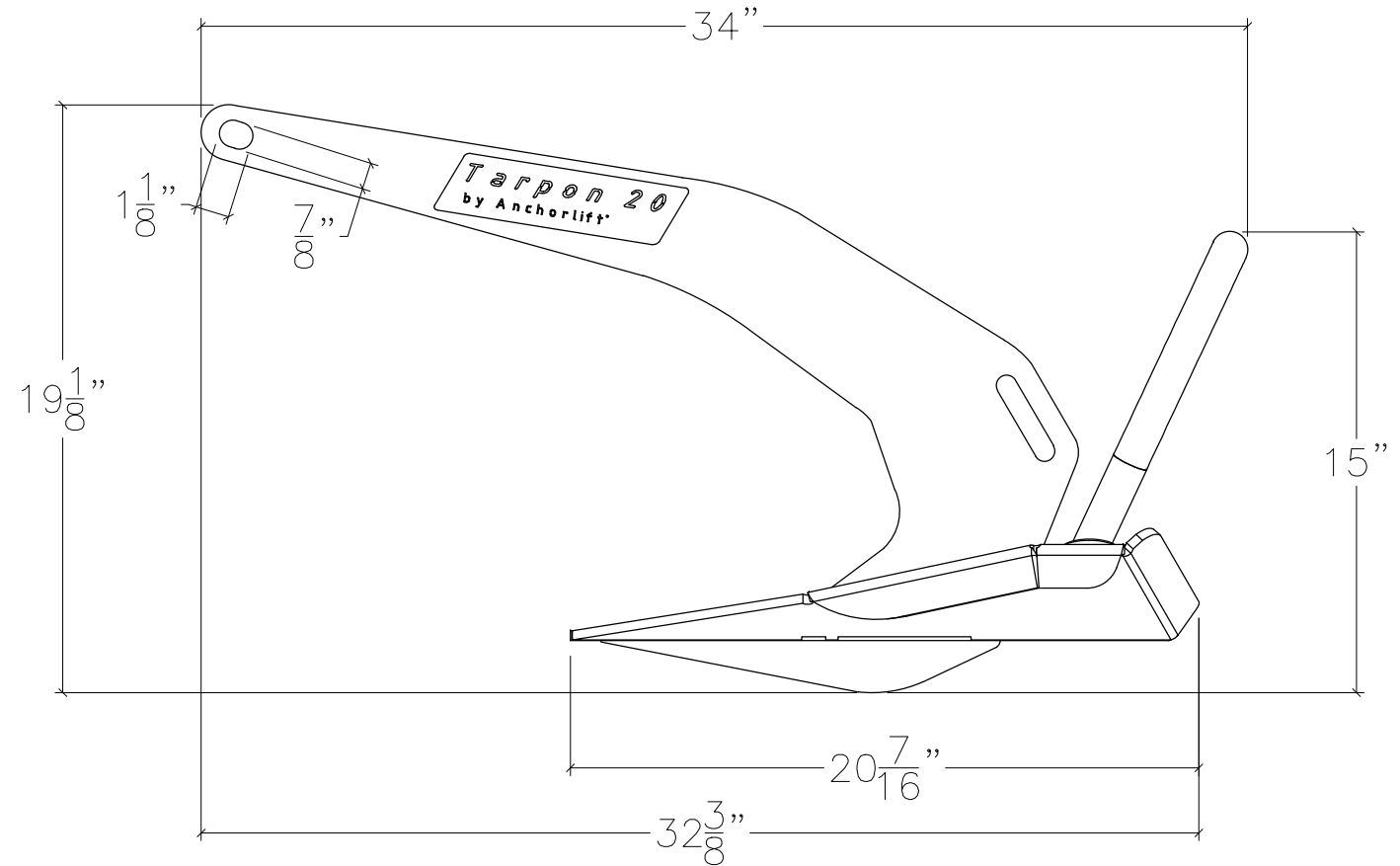


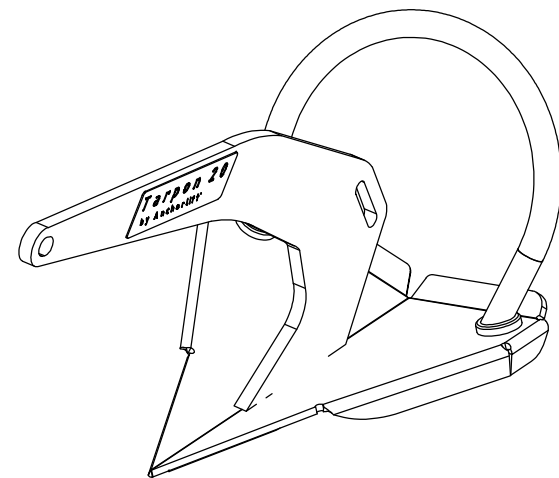
TPX20 ANCHOR



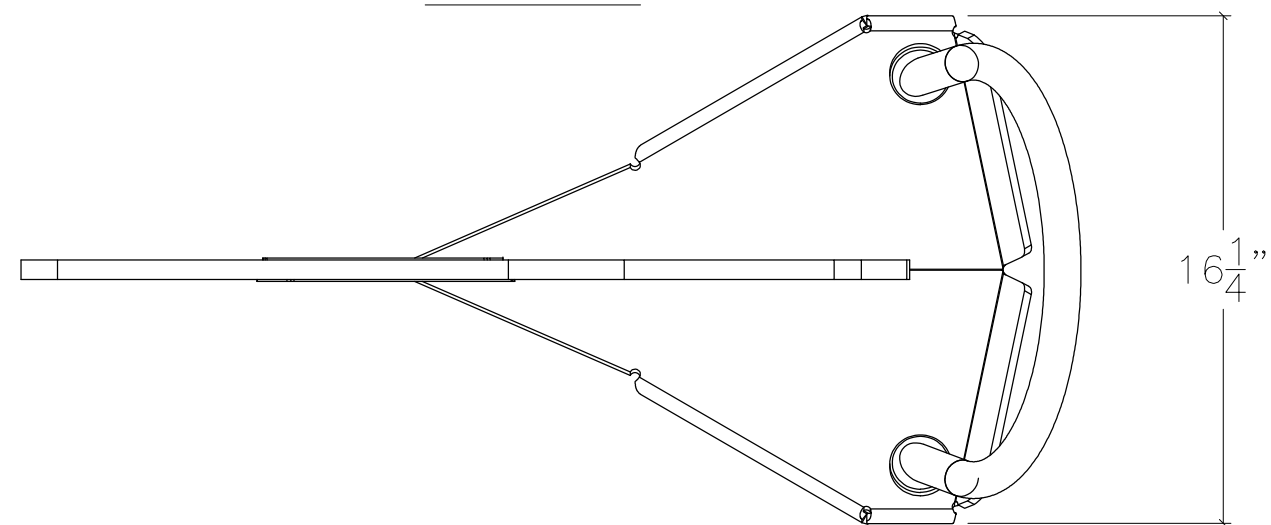
FRONT VIEW



SIDE VIEW



3-D VIEW



TOP VIEW

NOTE: ALL DIMENSIONS ARE IN INCHES



SIZE <b>B</b>	TPX20 ANCHOR	DWG DATE <b>07/20/2020</b>
	ADDRESS	
PROJECT MANAGER:	DRAWN BY: JDN	SCALE: N.T.S.
		SHEET 1 OF 1