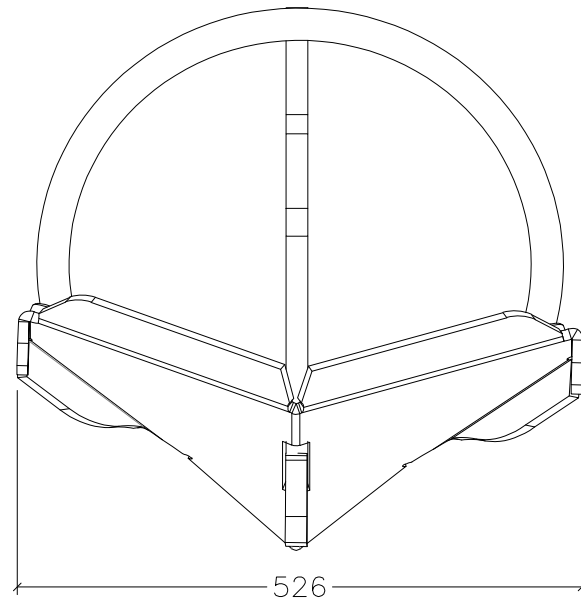
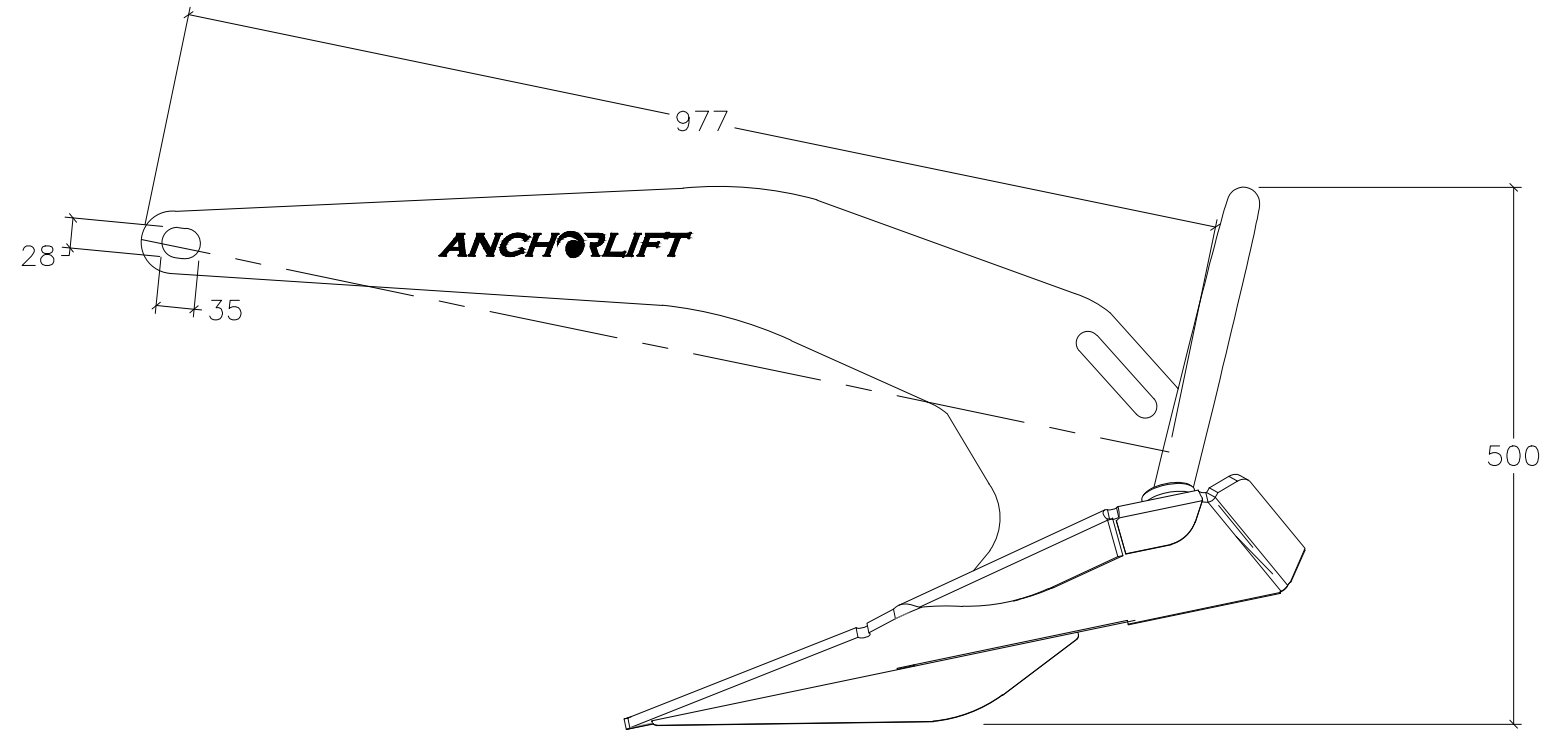


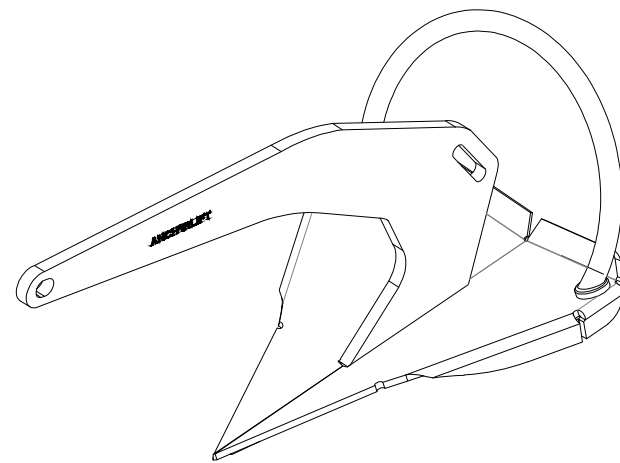
TPX40 ANCHOR



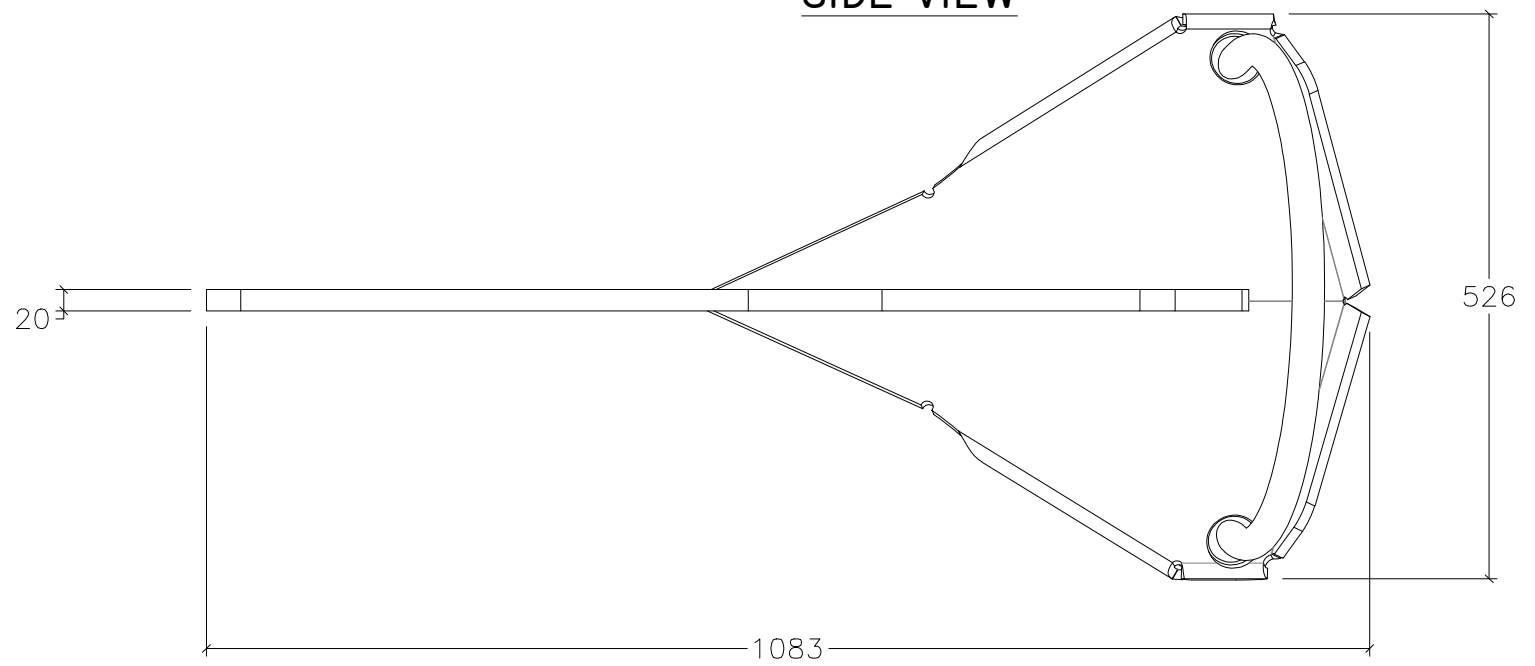
FRONT VIEW



SIDE VIEW




3-D VIEW



TOP VIEW

NOTE: ALL DIMENSIONS ARE IN MILLIMETERS

 www.anchorliftdirect.com	SIZE B	TPX40 ANCHOR	DWG DATE 2/13/2021	
	PROJECT MANAGER:	DRAWN BY: JDN	SCALE: N.T.S.	SHEET 1 OF 1