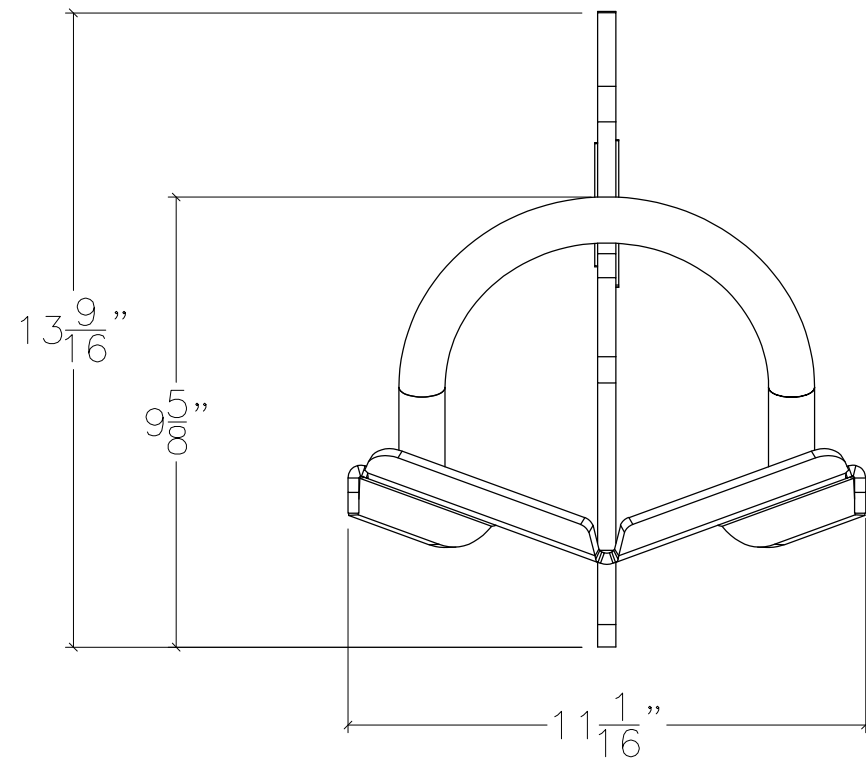
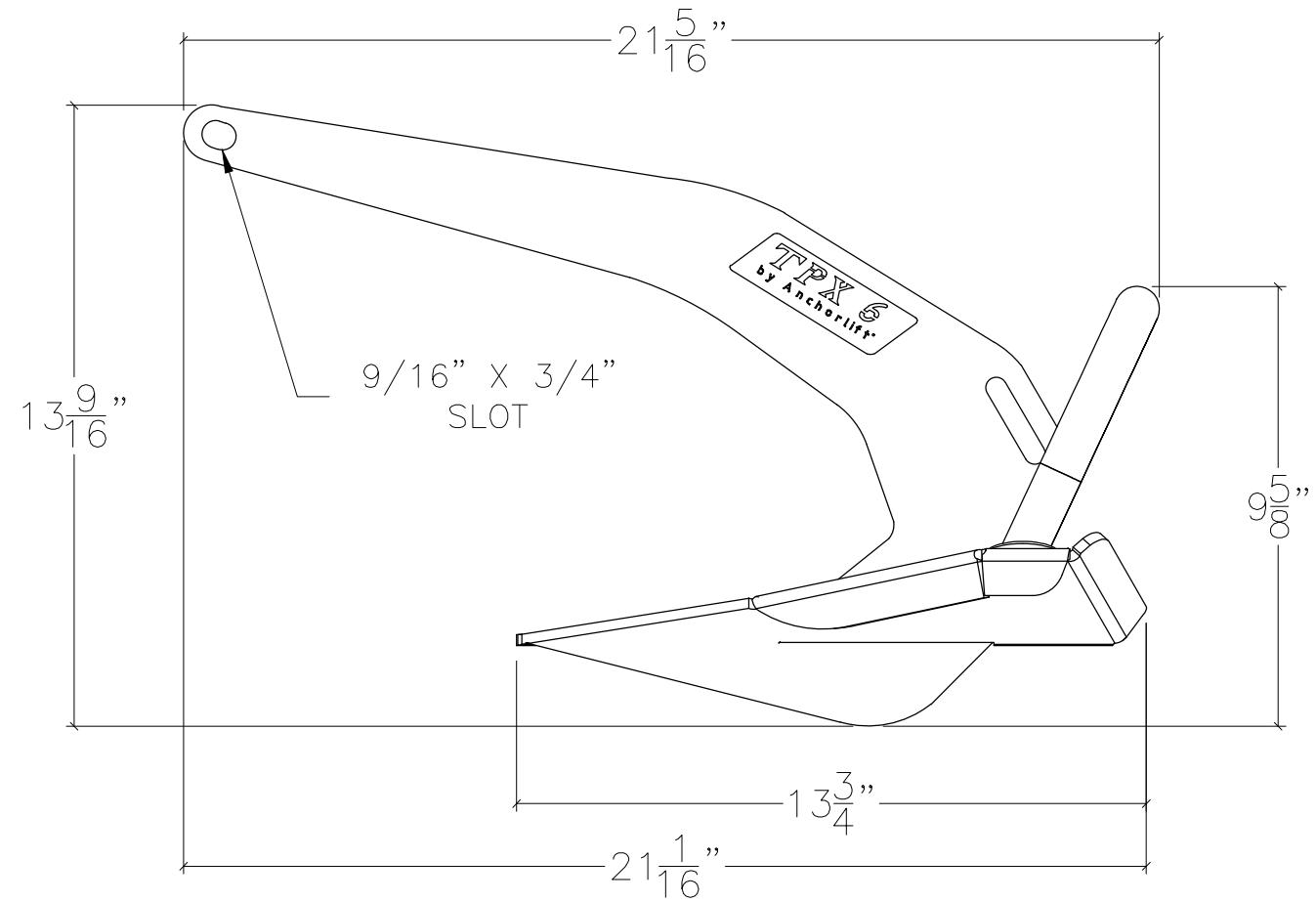


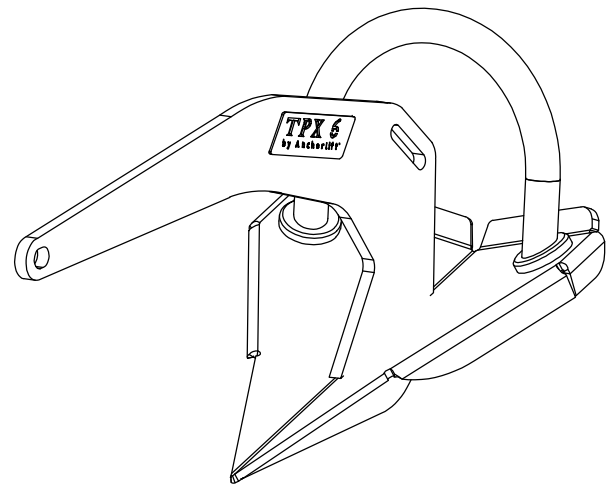
ANCHOR TPX6



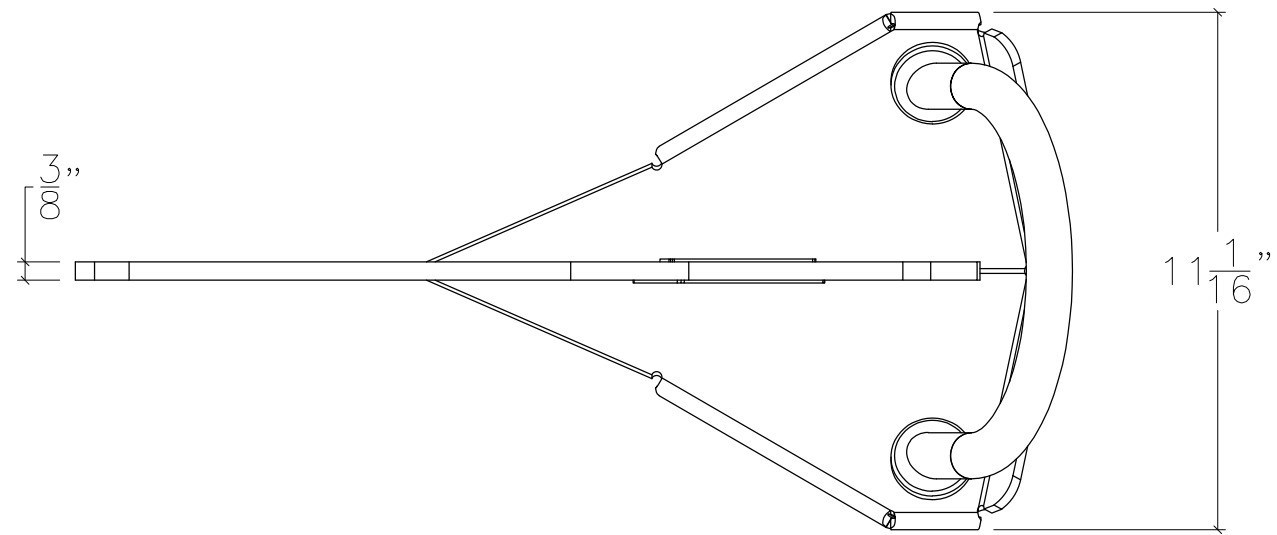
FRONT VIEW



SIDE VIEW



3-D VIEW



TOP VIEW

NOTE: ALL DIMENSIONS ARE IN INCHES



SIZE <b>B</b>	TPX6 ANCHOR	DWG DATE 11/23/2020
	ADDRESS	
PROJECT MANAGER:	DRAWN BY: JDN	SCALE: N.T.S.
		SHEET 1 OF 1