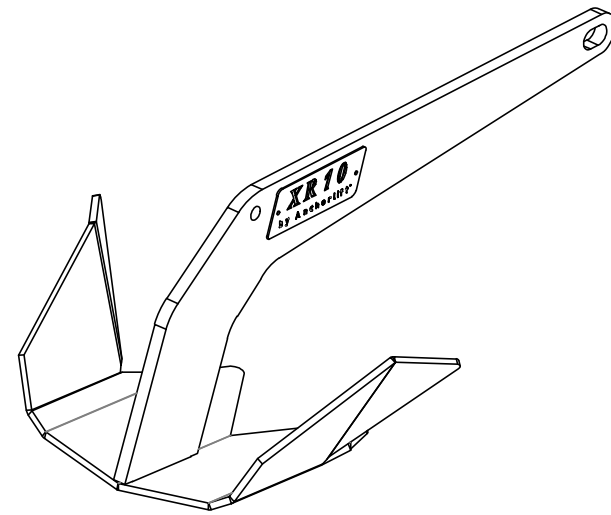
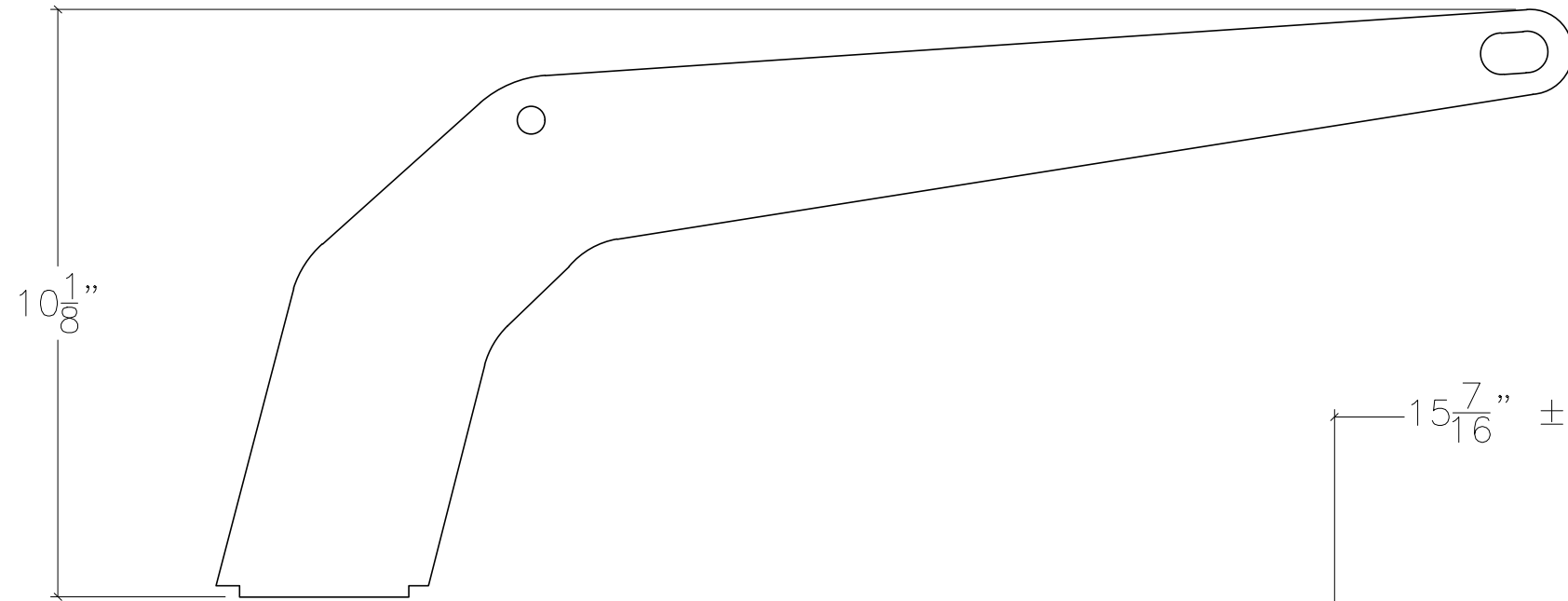
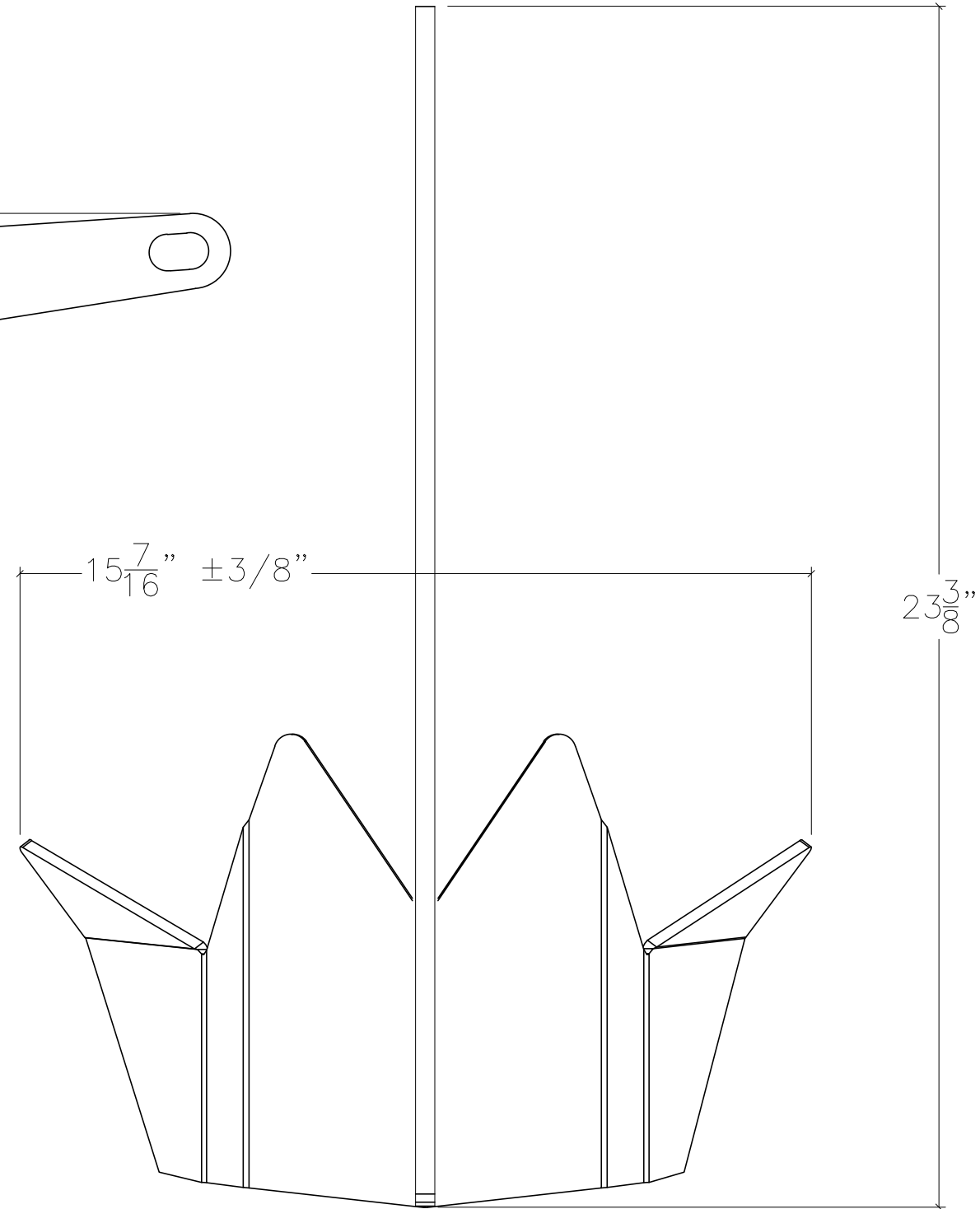


XR 10 ANCHOR



3-D VIEW



TOP VIEW

NOTE: ALL DIMENSIONS ARE IN INCHES



SIZE B	XR 10 ANCHOR ADDRESS	DWG DATE 07/20/2020	
	PROJECT MANAGER:	DRAWN BY: JDN	SCALE: N.T.S.
			SHEET 1 OF 1