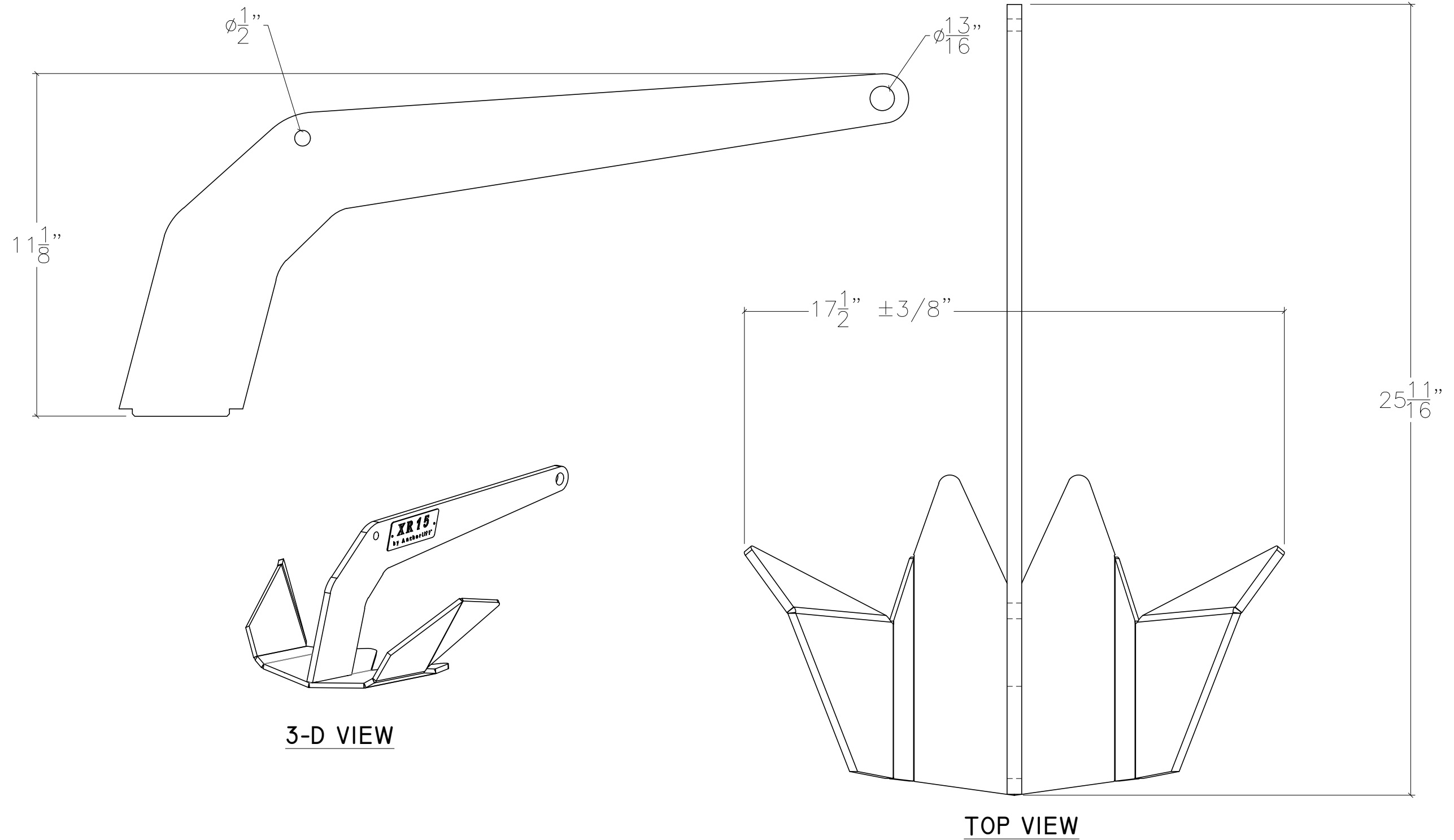



XR 15 ANCHOR



NOTE: ALL DIMENSIONS ARE IN INCHES

 www.anchorliftdirect.com	SIZE B	XR 15 ANCHOR ADDRESS	DWG DATE 07/20/2020	
	PROJECT MANAGER:	DRAWN BY: JDN	SCALE: N.T.S.	SHEET 1 OF 1