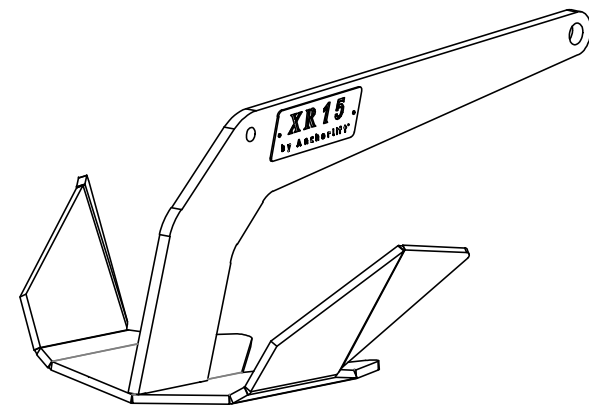
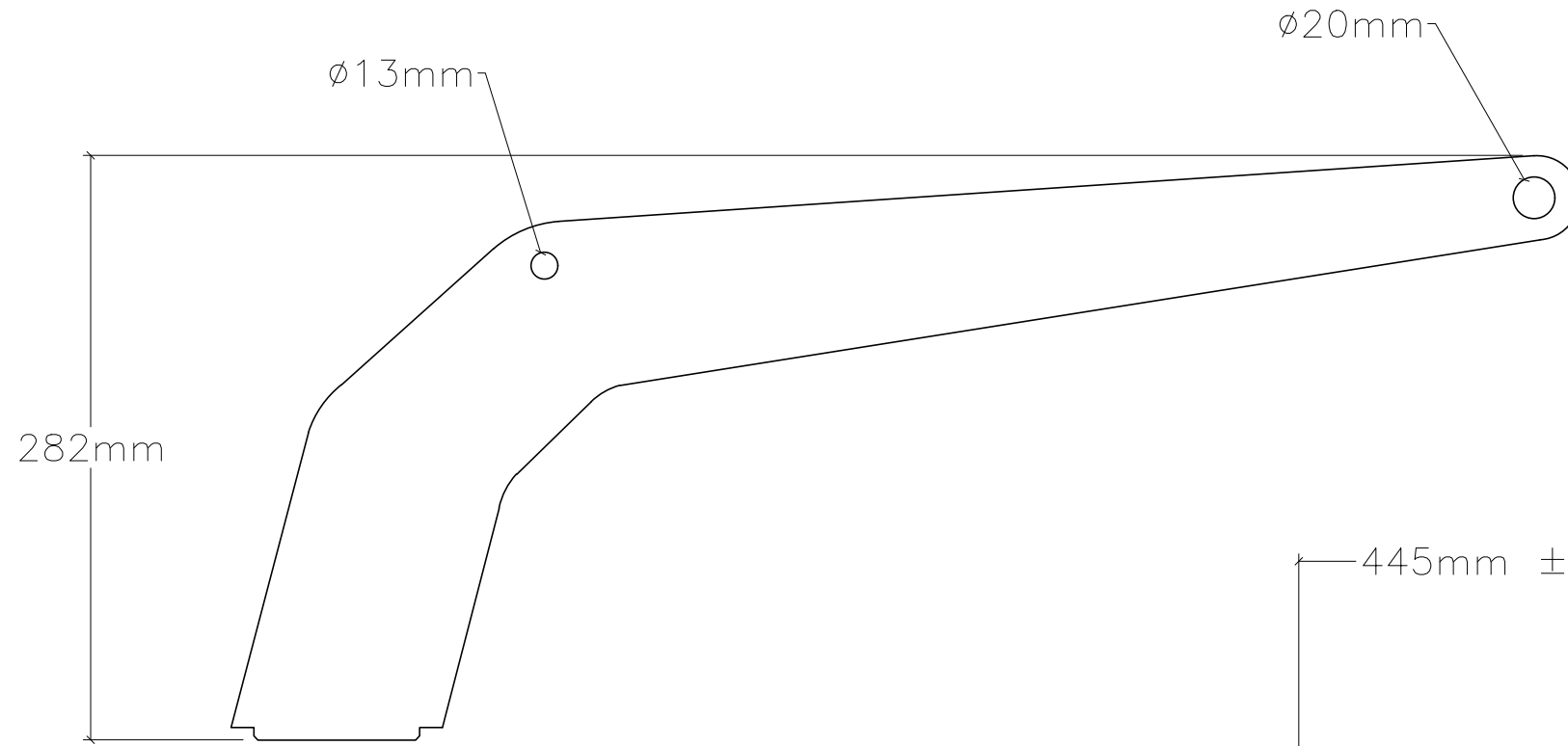
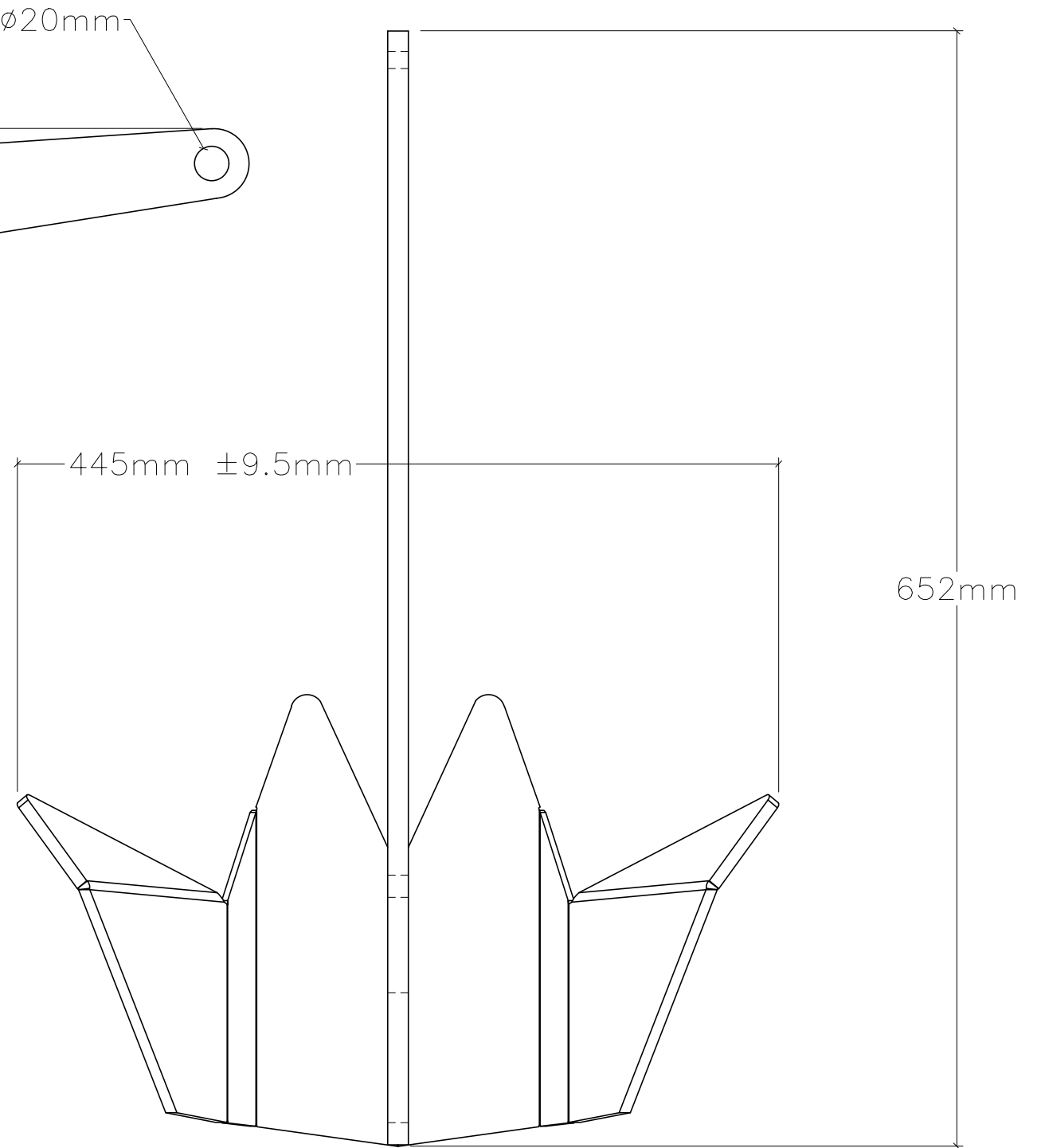


XR 15 ANCHOR




3-D VIEW



TOP VIEW

NOTE: ALL DIMENSIONS ARE IN MILLIMETERS

 <a href="http://www.anchorliftdirect.com">www.anchorliftdirect.com</a>	SIZE <b>B</b>	XR 15 ANCHOR ADDRESS	DWG DATE <b>07/20/2020</b>	
	PROJECT MANAGER:	DRAWN BY: JDN	SCALE: N.T.S.	SHEET 1 OF 1