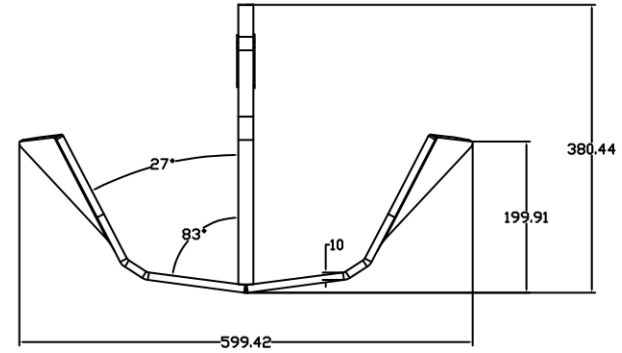
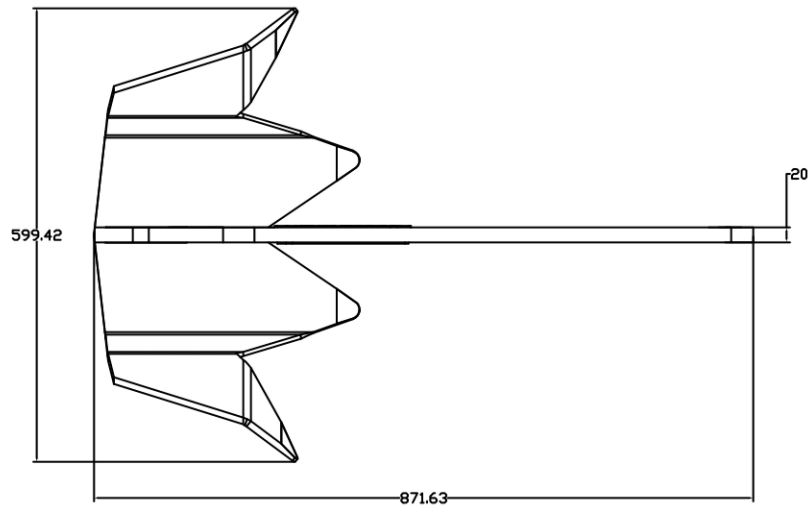


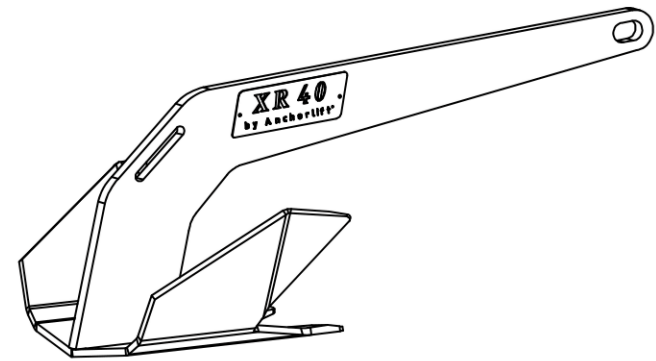
SIDE VIEW



FRONT VIEW



TOP VIEW



3-D VIEW

NOTE: ALL DIMENSIONS ARE IN METRIC.

 <a href="http://www.anchorliftdirect.com">www.anchorliftdirect.com</a>	SIZE <b>B</b>	<b>XR40 ANCHOR</b>	DWG DATE <b>10/3/23</b>
	PROJECT MANAGER:		DRAWN BY: GAW