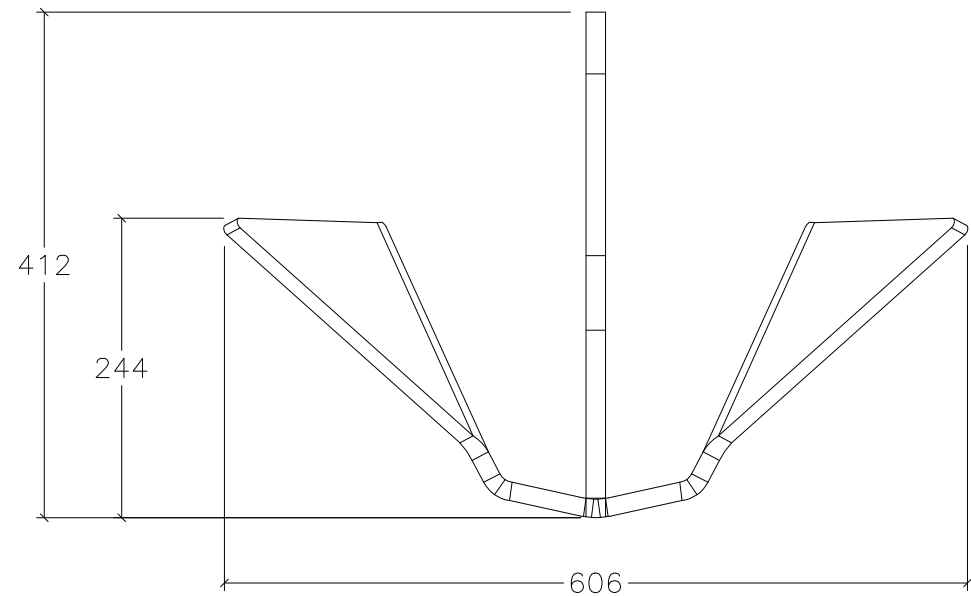
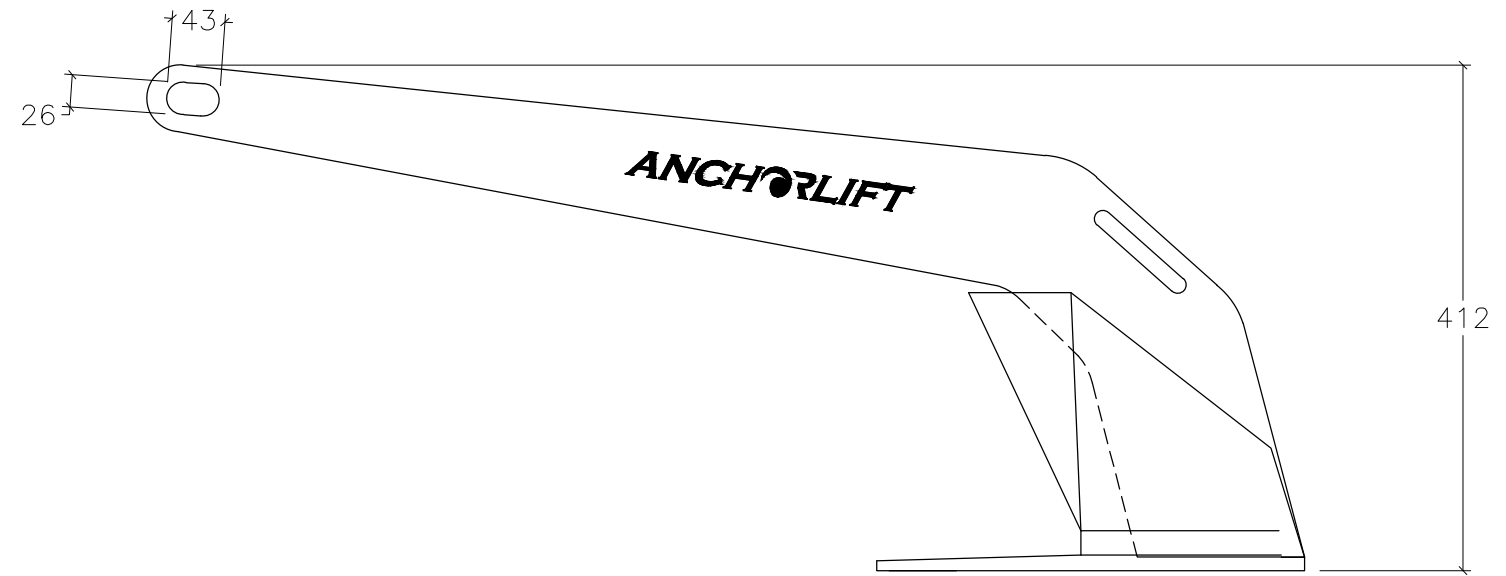


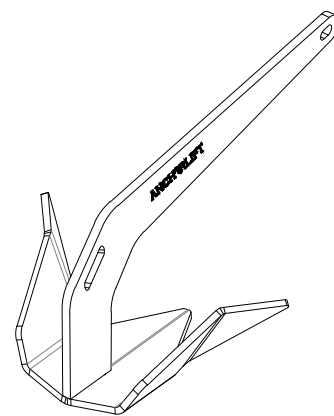
XR50 ANCHOR



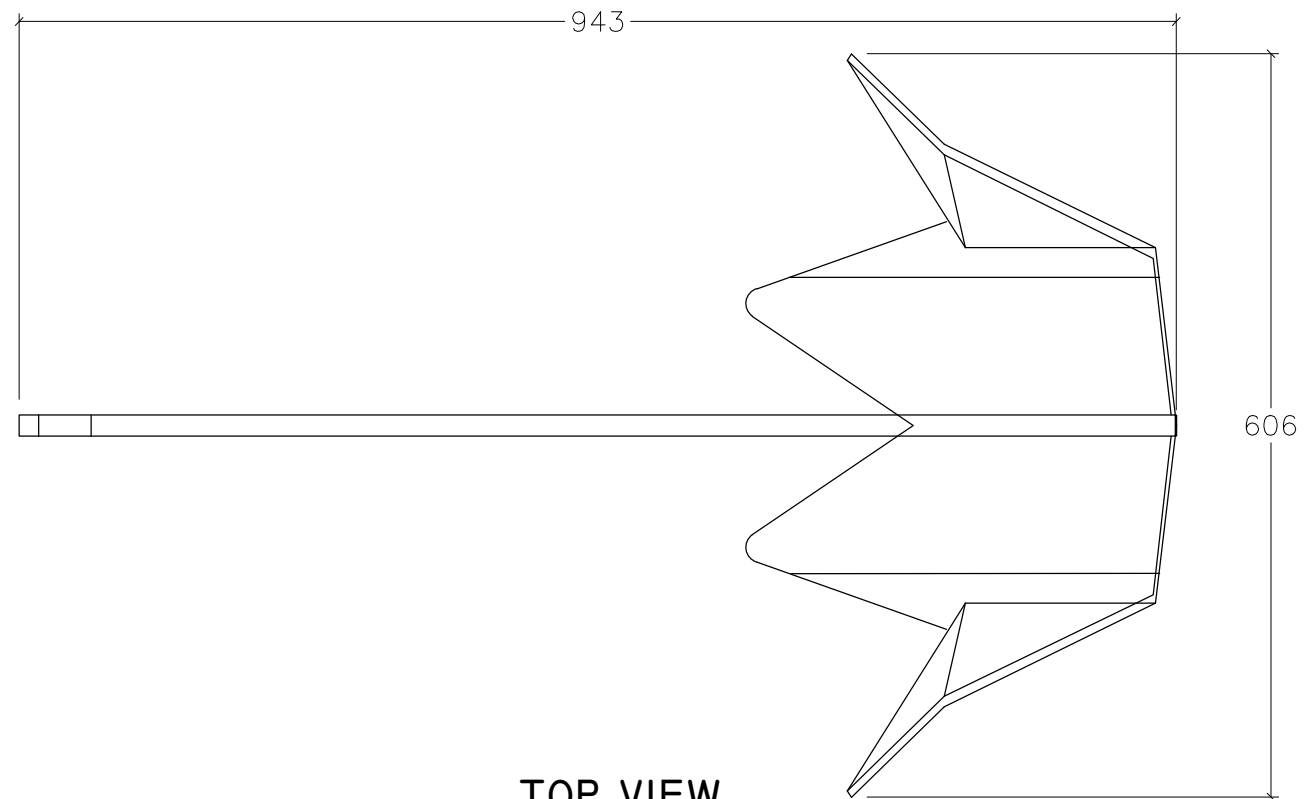
FRONT VIEW



SIDE VIEW



3-D VIEW



TOP VIEW

NOTE: ALL DIMENSIONS ARE IN MILLIMETERS



www.anchorliftdirect.com

SIZE XR50 ANCHOR

B

PROJECT MANAGER:

DRAWN BY: JDN

SCALE: N.T.S.

DWG DATE
2/25/2021

SHEET 1 OF 1