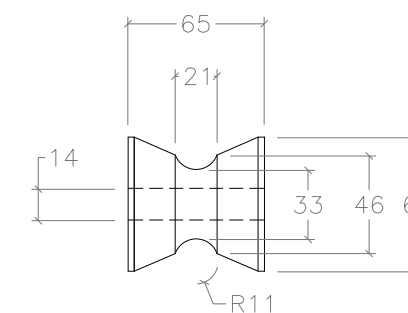
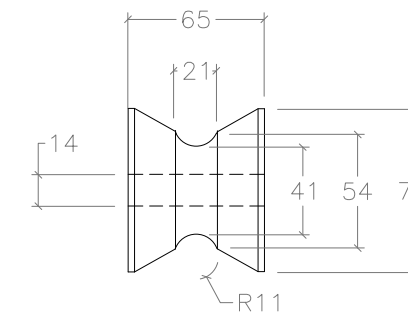
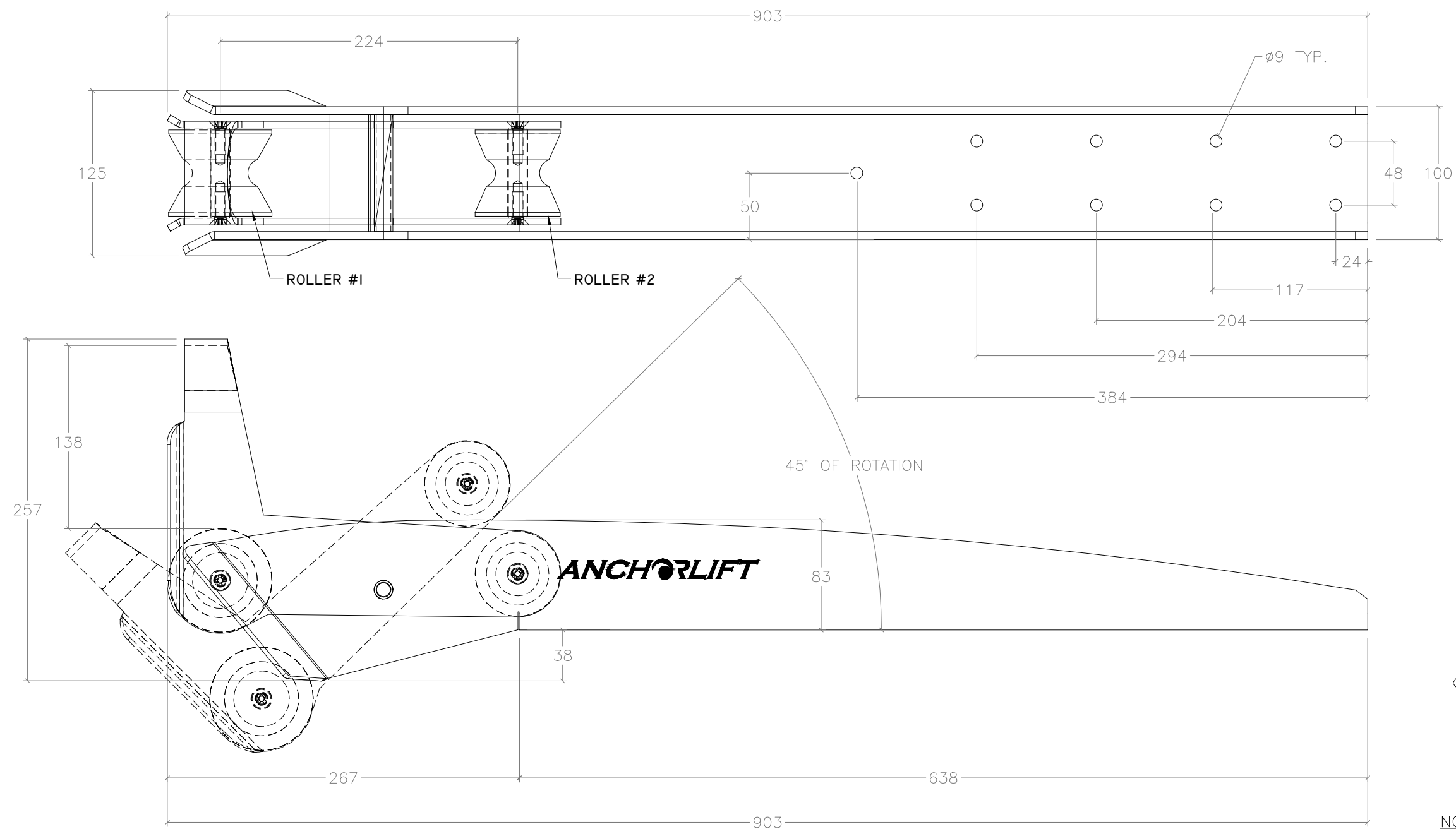
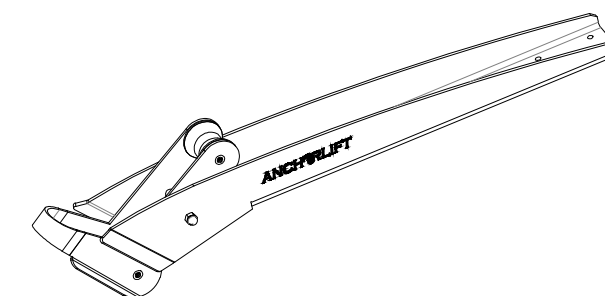



90105 BOW ROLLER



ROLLER #2



NOTE: ALL DIMENSIONS ARE IN MILLIMETERS

 www.anchorliftdirect.com	SIZE B	PROJECT: 90105 ADDRESS	DWG DATE 07/20/2020
	PROJECT MANAGER:	DRAWN BY: JDN	SCALE: N.T.S. SHEET 1 OF 1