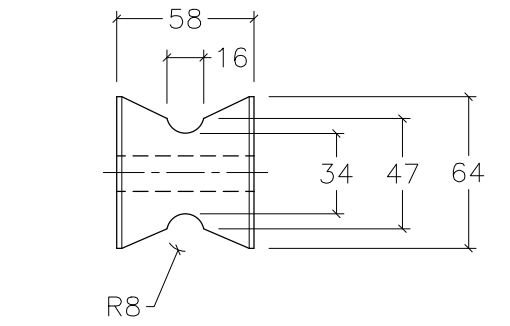
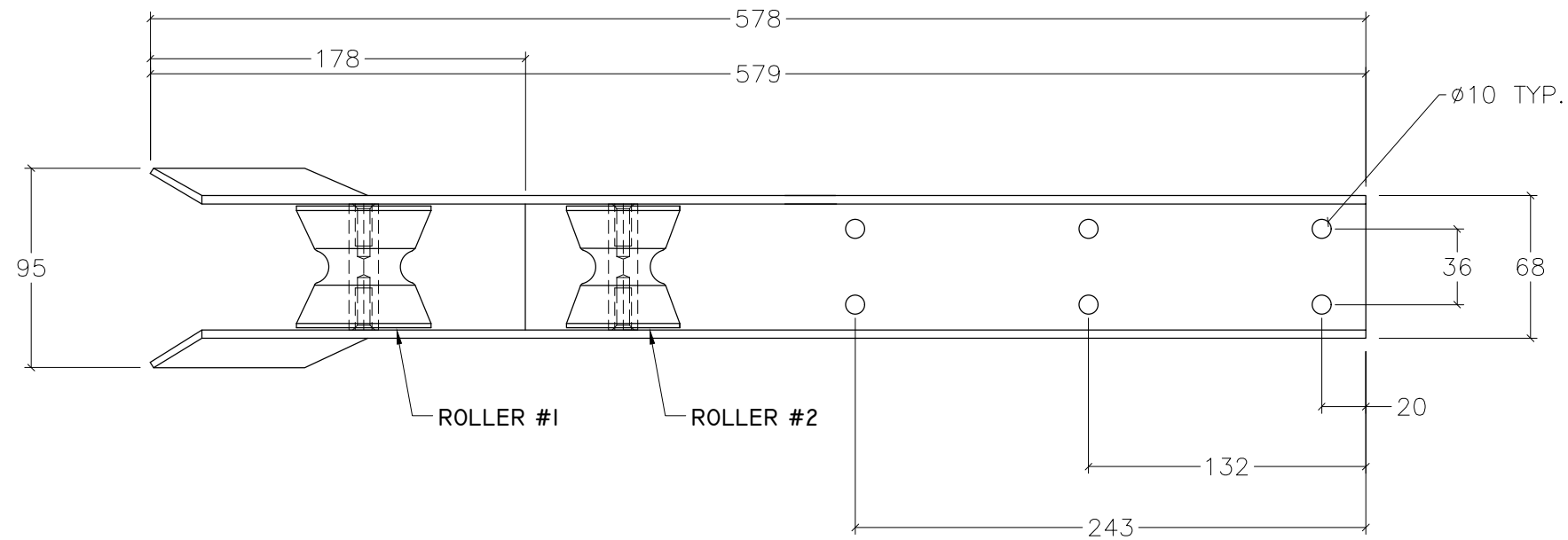
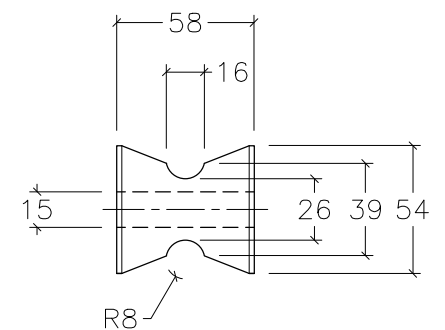


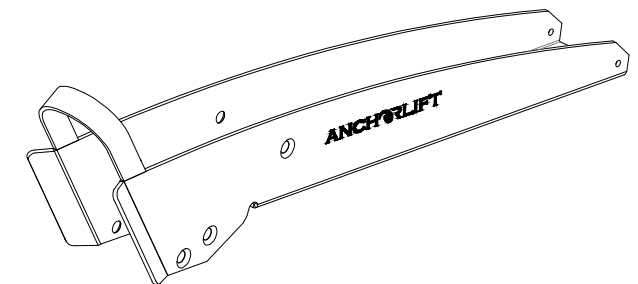
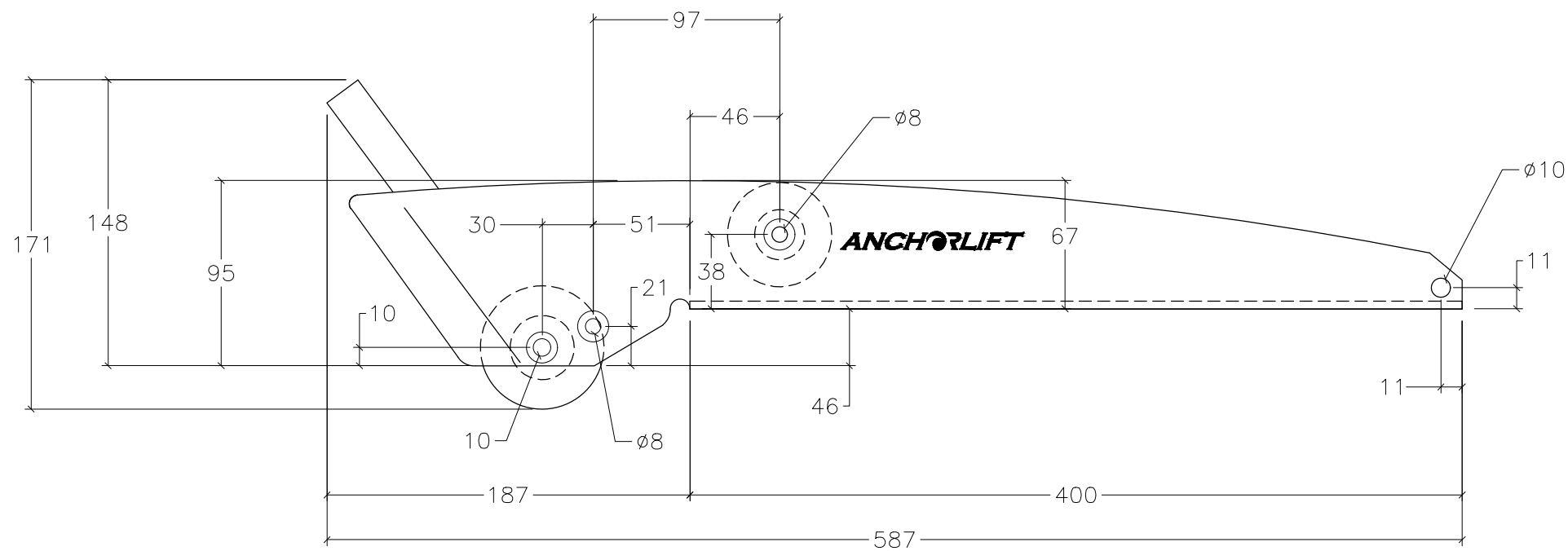
# 90126 BOW ROLLER



**ROLLER #1**



**ROLLER #2**



NOTE: ALL DIMENSIONS ARE IN MILLIMETERS

**ANCHORLIFT**  
www.anchorliftdirect.com

SIZE  
**B**

PROJECT: 90126  
ADDRESS

PROJECT MANAGER:

DRAWN BY: JDN

SCALE: N.T.S.

DWG DATE  
07/20/2020

SHEET 1 OF 1