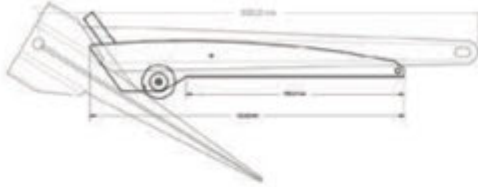


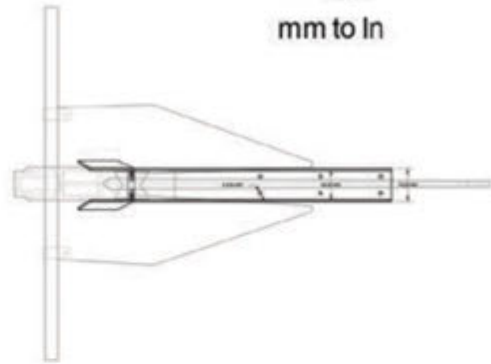
# ANCHORLIFT

## DIRECT

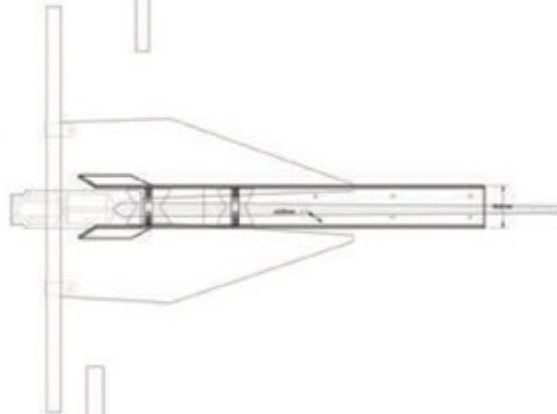
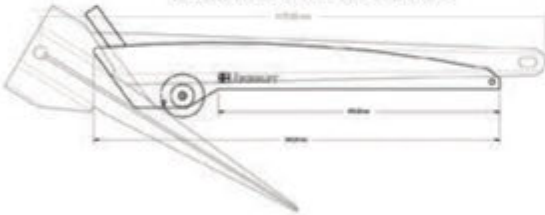
Anchorlift 90127 Fortress FX 37



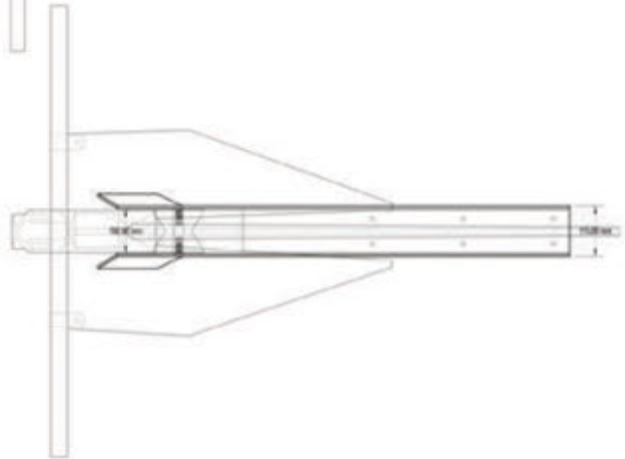
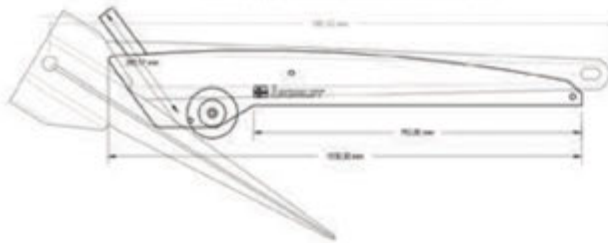
mm to In



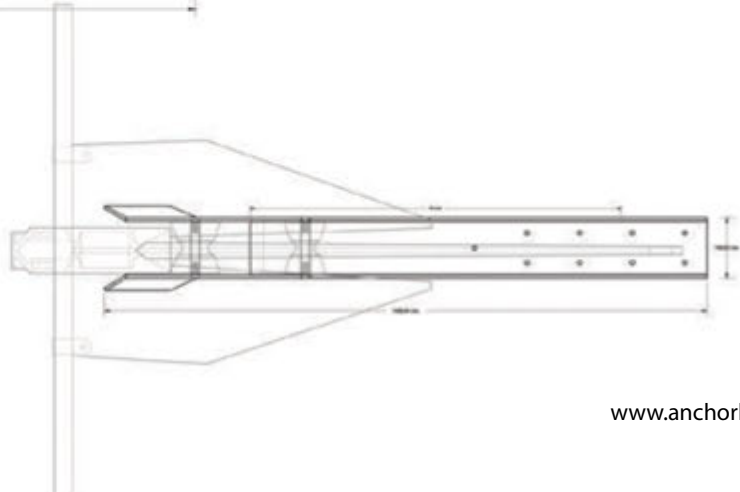
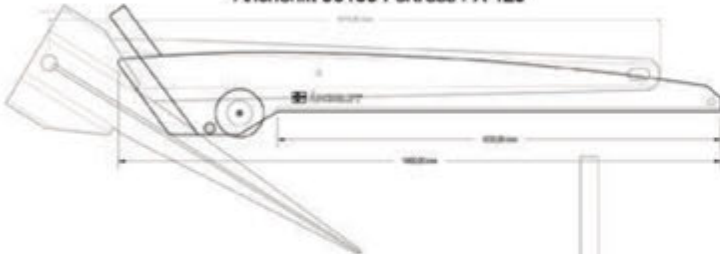
Anchorlift 90128 Fortress FX 55



Anchorlift 90129 Fortress FX 85



Anchorlift 90130 Fortress FX 125



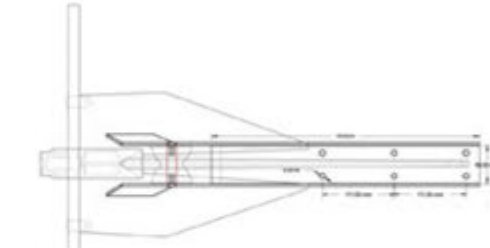
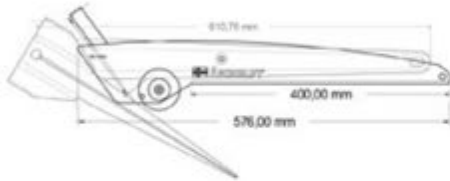
**Note!** Using Anchorlift 90126 series bow roller on FX anchors, Upper roller must be removed and lower roller must be moved to center position. Bolts are secured with Loctite, apply heat to bolt to make Loctite loosen.

# ANCHORLIFT

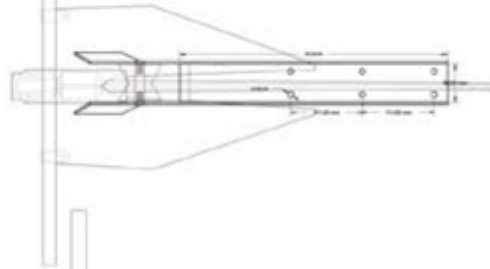
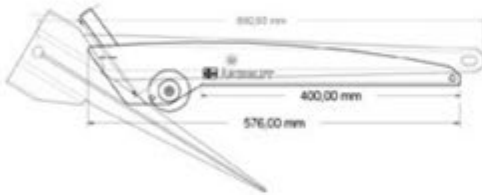
## DIRECT

mm to In

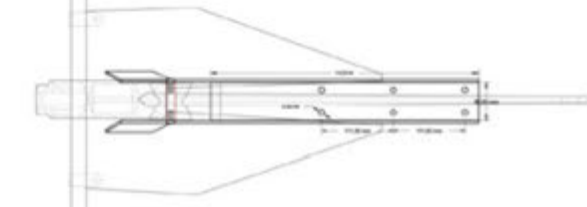
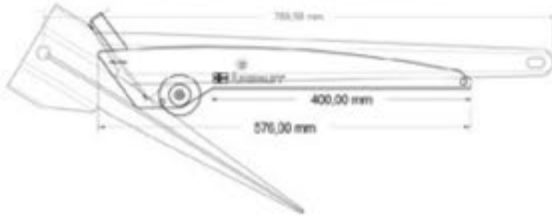
Anchorlift 90126 Fortress FX 7



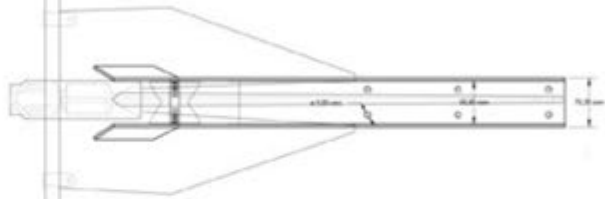
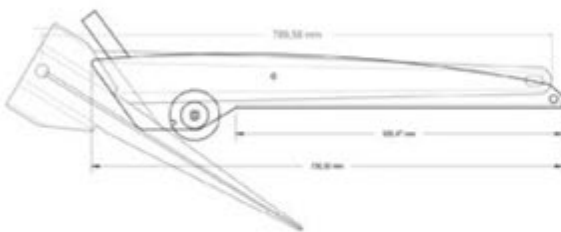
Anchorlift 90126 Fortress FX 11



Anchorlift 90126 Fortress FX 16



Anchorlift 90127 Fortress FX 16



Anchorlift 90127 Fortress FX 23

