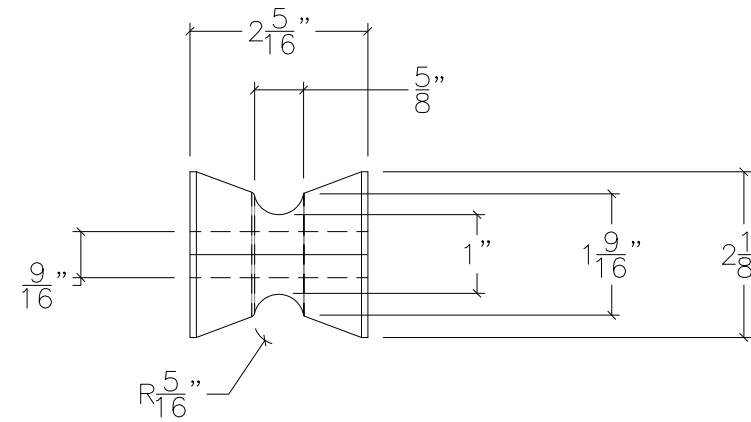
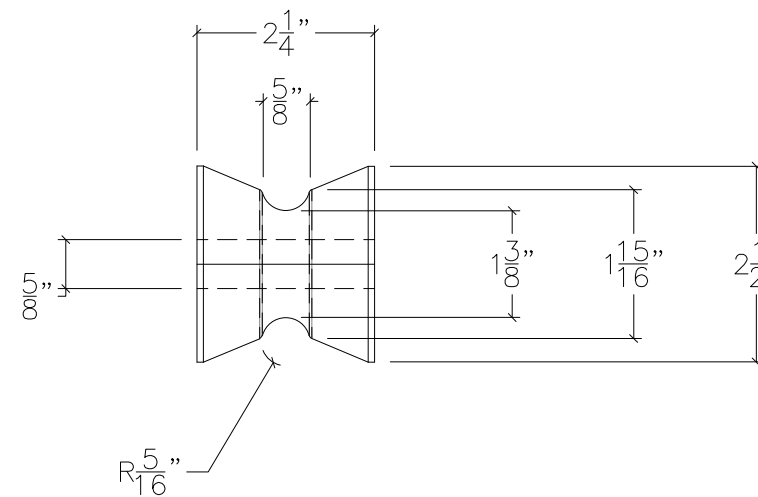


# 90113 BOW PLANK ROLLER KIT




**ROLLER #1**



**ROLLER #2**

NOTE: ALL DIMENSIONS ARE IN INCHES

 <a href="http://www.anchorliftdirect.com">www.anchorliftdirect.com</a>	SIZE <b>B</b>	PROJECT: 90113 BOW PLANK ROLLER KIT			DWG DATE <b>6/16/2021</b>
	PROJECT MANAGER:	DRAWN BY: JDN	SCALE: N.T.S.	SHEET 1 OF 1	