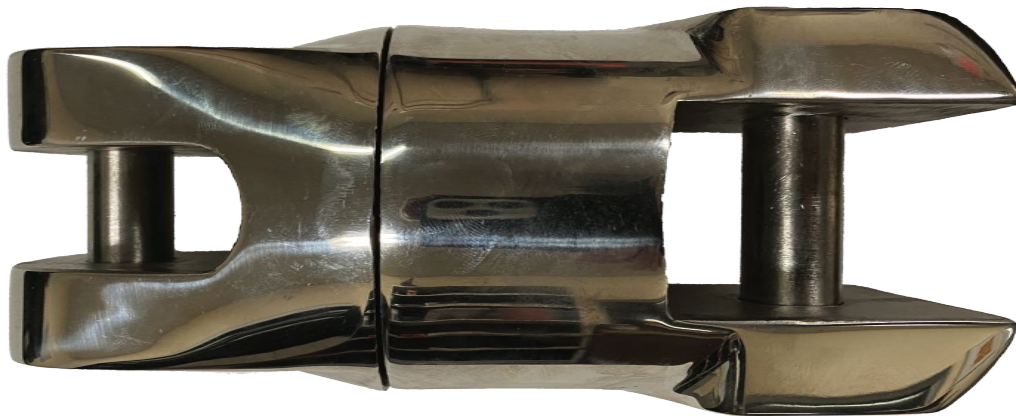
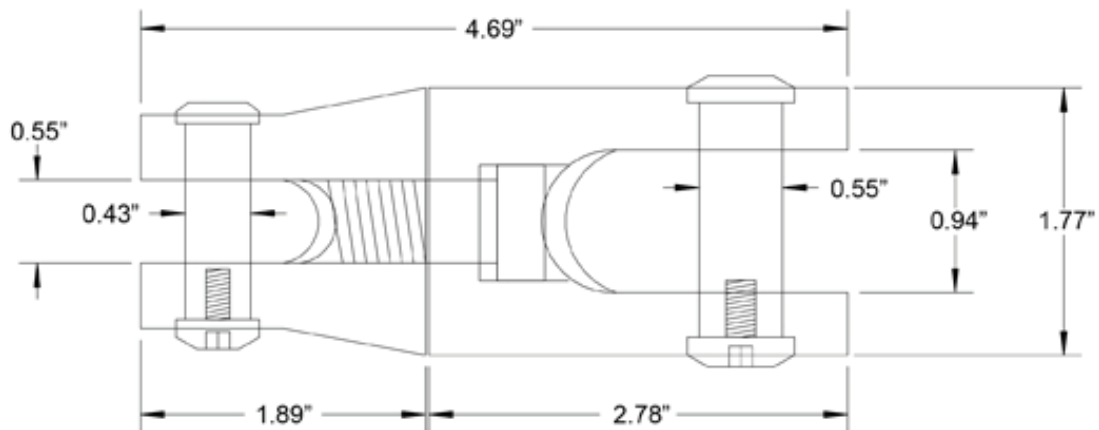


### 964411 Swivel Installation Instructions

Use a 4mm allen wrench only. Use of an SAE allen wrench may damage screws.

Use high strength Red Threadlocker on threads.

Oil where indicated below.



THREAD  
LOCK

OIL

THREAD  
LOCK

MAX KG = 6000

MAX LB = 13200

AISI 316L