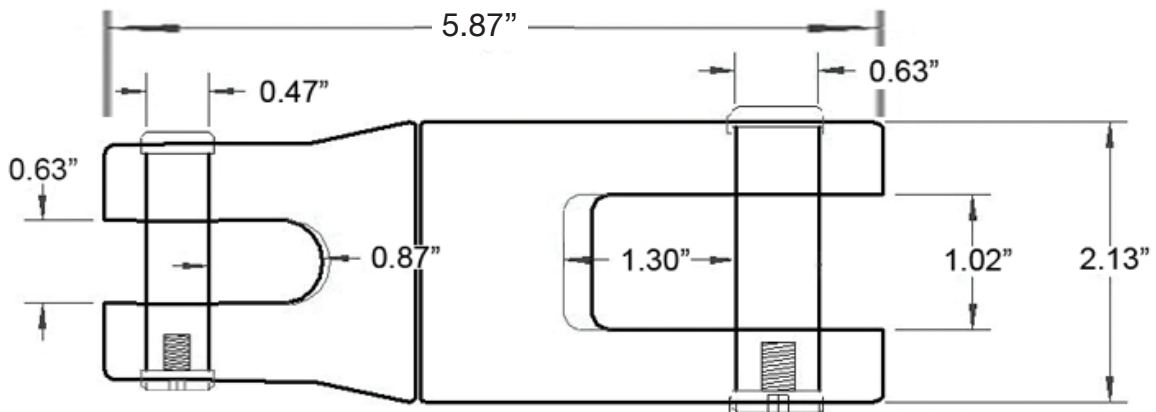


964412 Swivel Installation Instructions

Use a 5mm allen wrench only. Use of an SAE allen wrench may damage screws.

Use high strength Red Threadlocker on threads.

Oil where indicated below.



THREAD
LOCK

OIL

THREAD
LOCK

MAX KG = 7000

MAX LB = 15400

AISI 316L